

Applicable Model

R20BX2

Drawing Title

Intercom Panel

Drawing Unit

mm

Drawing Scale

Not to scale

**DRAFT
SUBJECT TO
CHANGE**

Last Revised

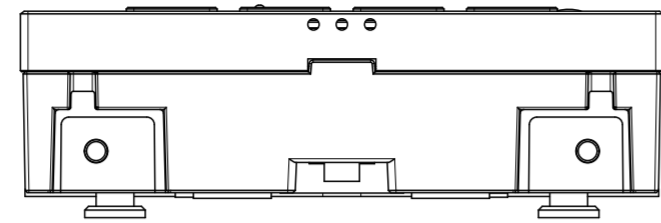
Feb 05,2021

Drawing Version

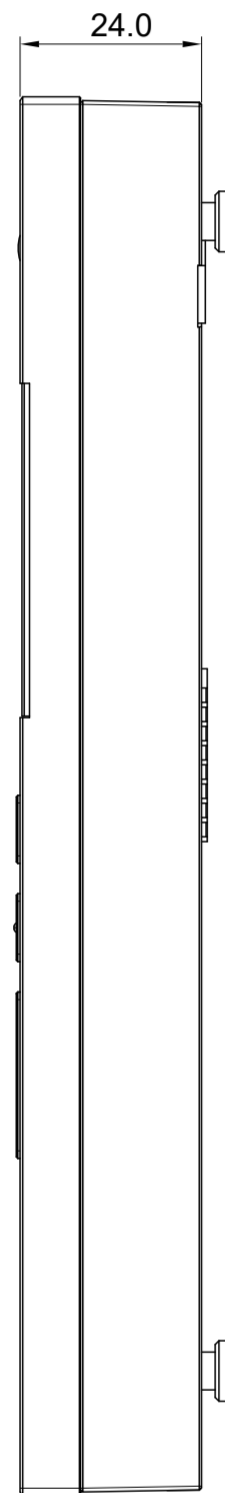
V1.0

Page

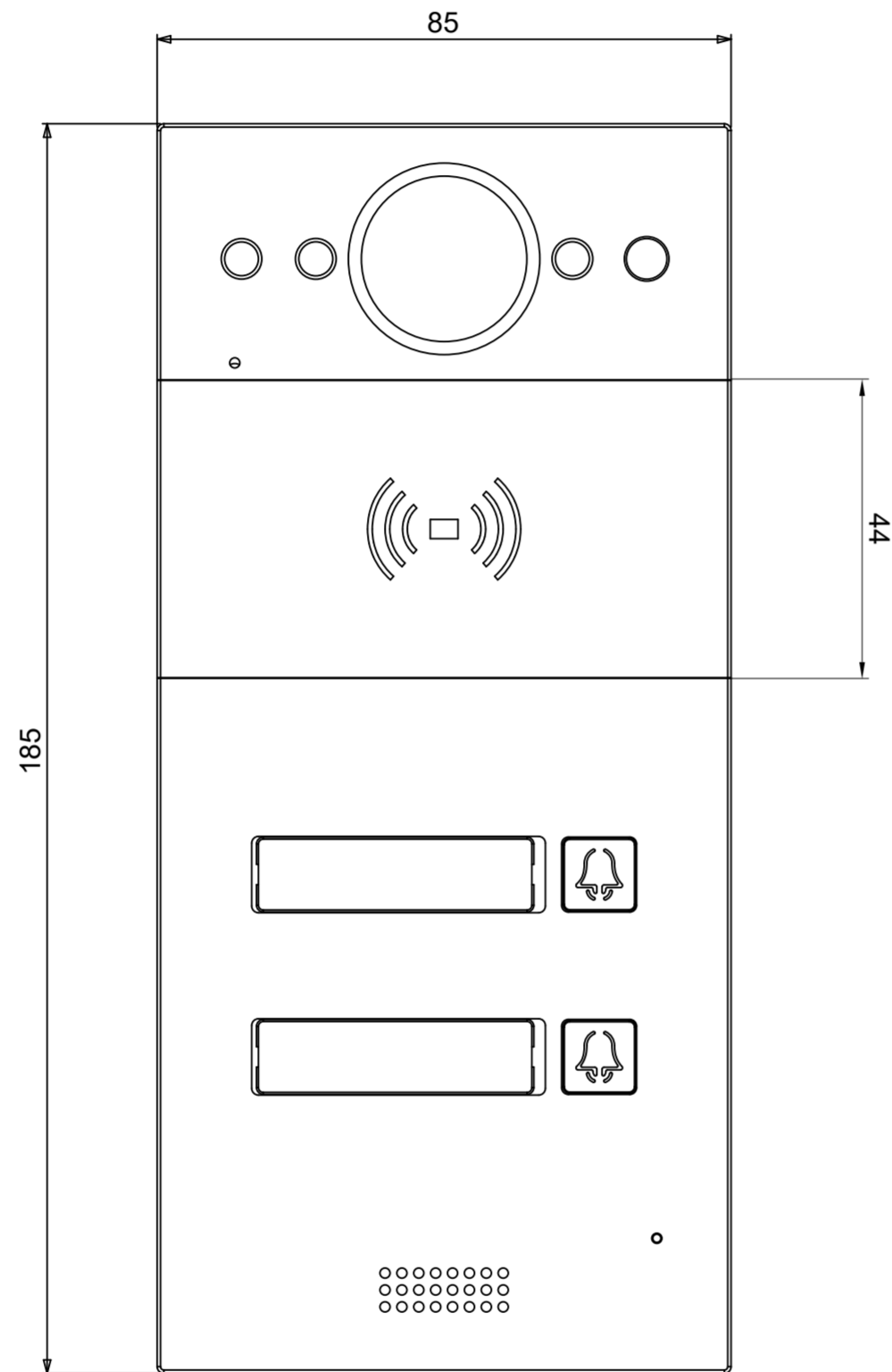
1 of 6



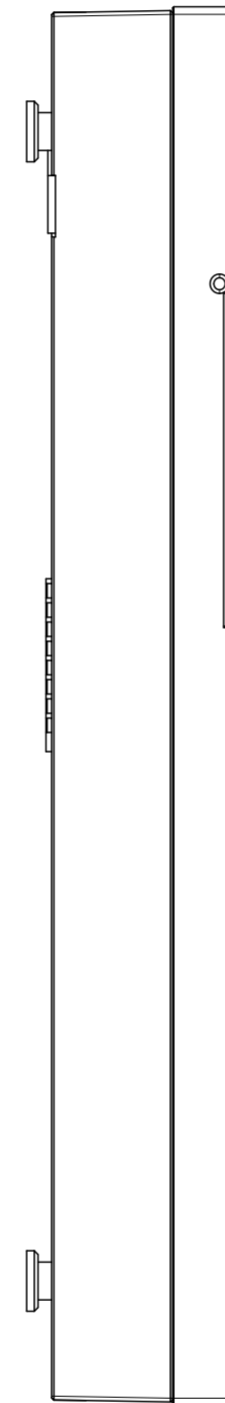
5 TOP VIEW



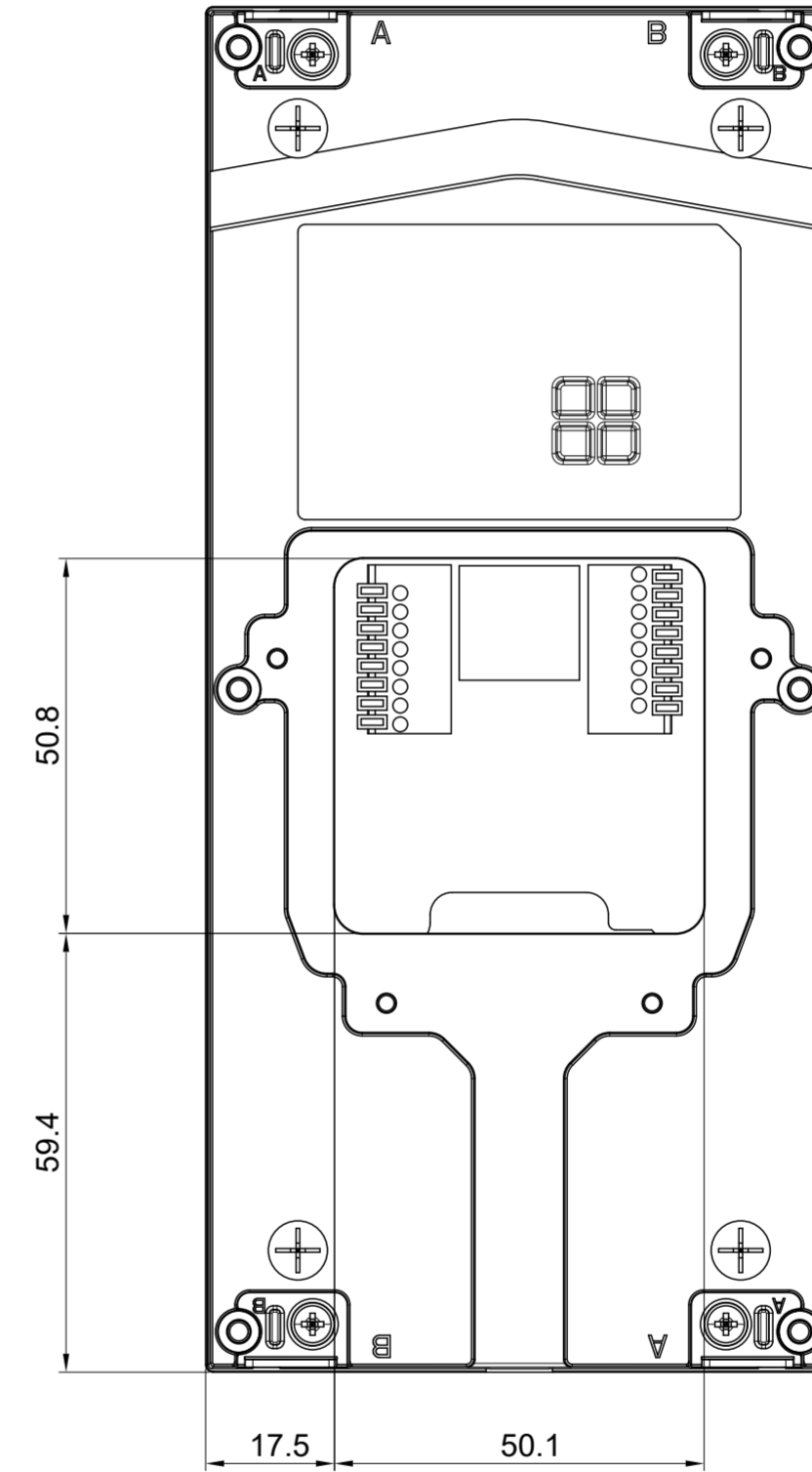
2 RIGHT VIEW



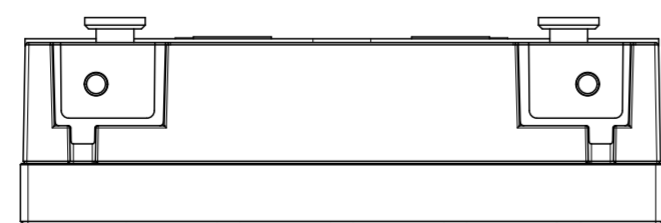
1 FRONT VIEW



3 LEFT VIEW



4 BACK VIEW



6 BOTTOM VIEW

Applicable Model

R20B

Drawing Title

Wall Mounting Bracket

Drawing Unit

mm

Drawing Scale

Not to scale

**DRAFT
SUBJECT TO
CHANGE**

Last Revised

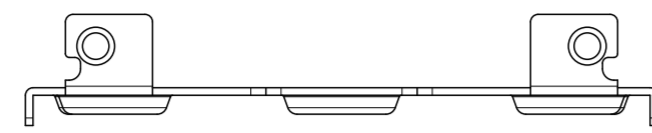
Feb 05,2021

Drawing Version

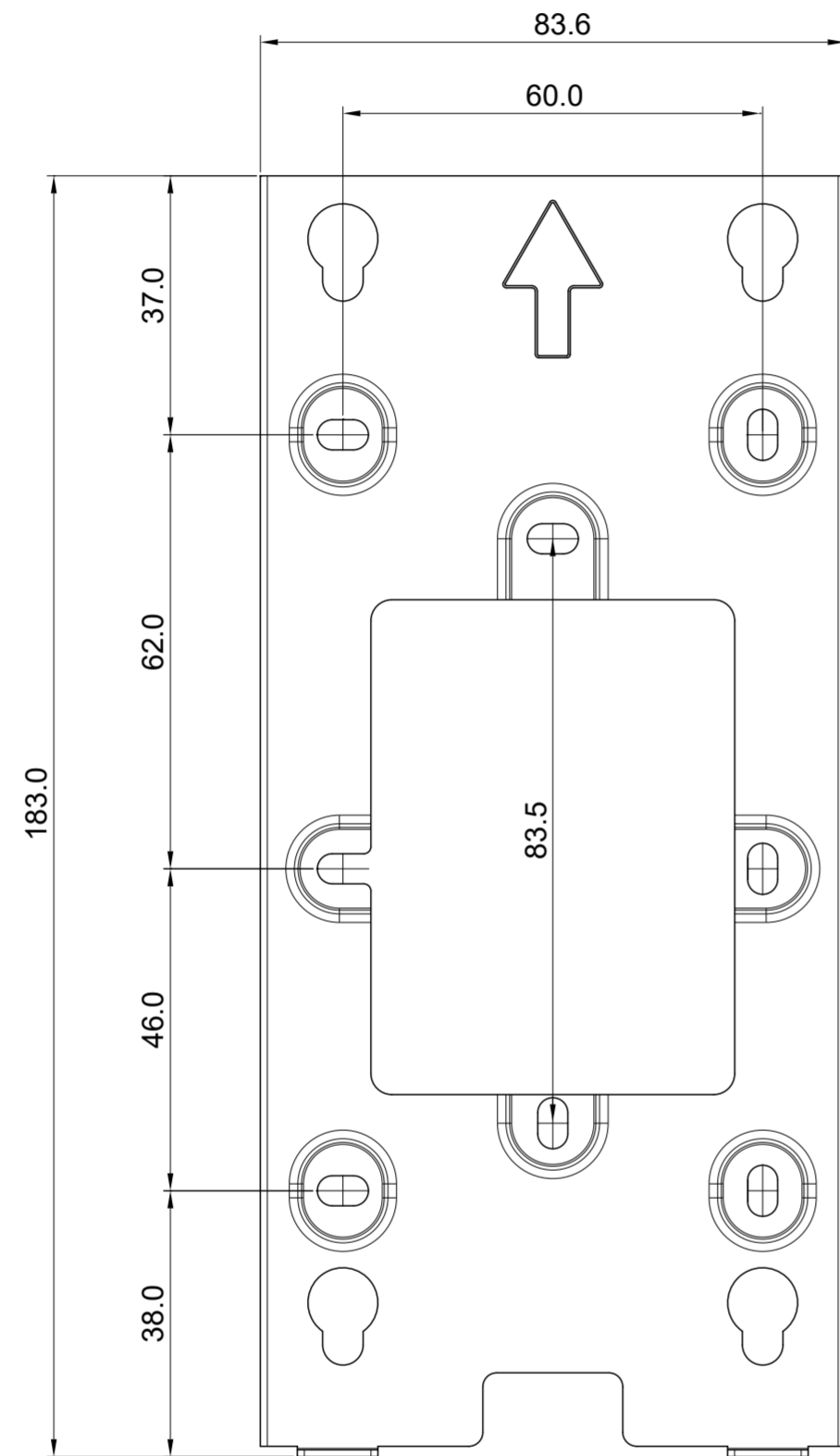
V1.0

Page

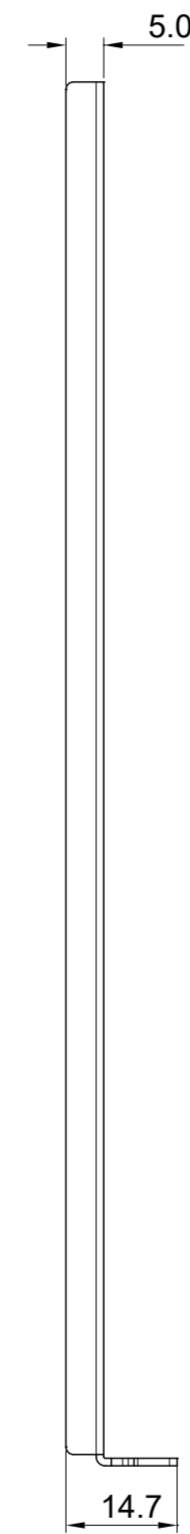
2 of 6



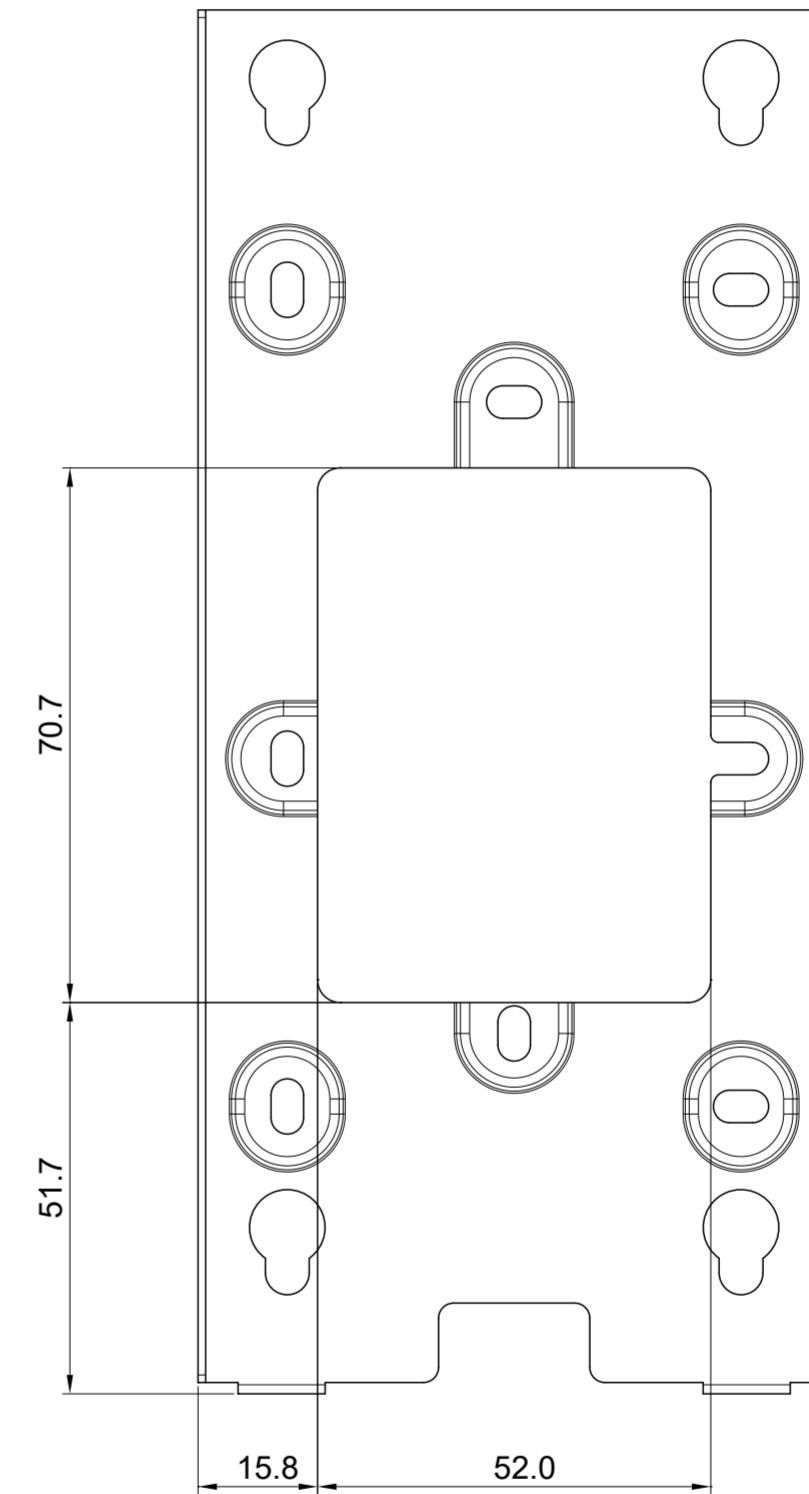
5 TOP VIEW



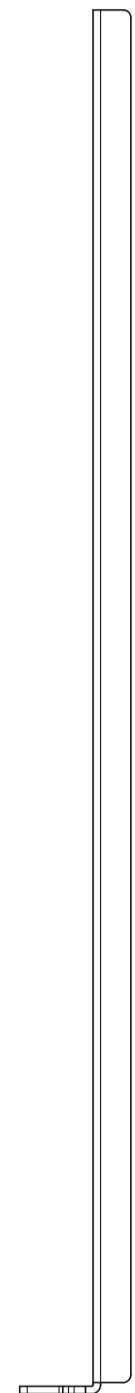
1 FRONT VIEW



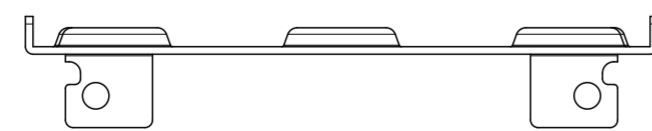
3 LEFT VIEW



4 BACK VIEW



2 RIGHT VIEW



6 BOTTOM VIEW

Applicable Model

R20BX2

Drawing Title

Placement

Drawing Unit

mm

Drawing Scale

Not to scale

**DRAFT
SUBJECT TO
CHANGE**

Last Revised

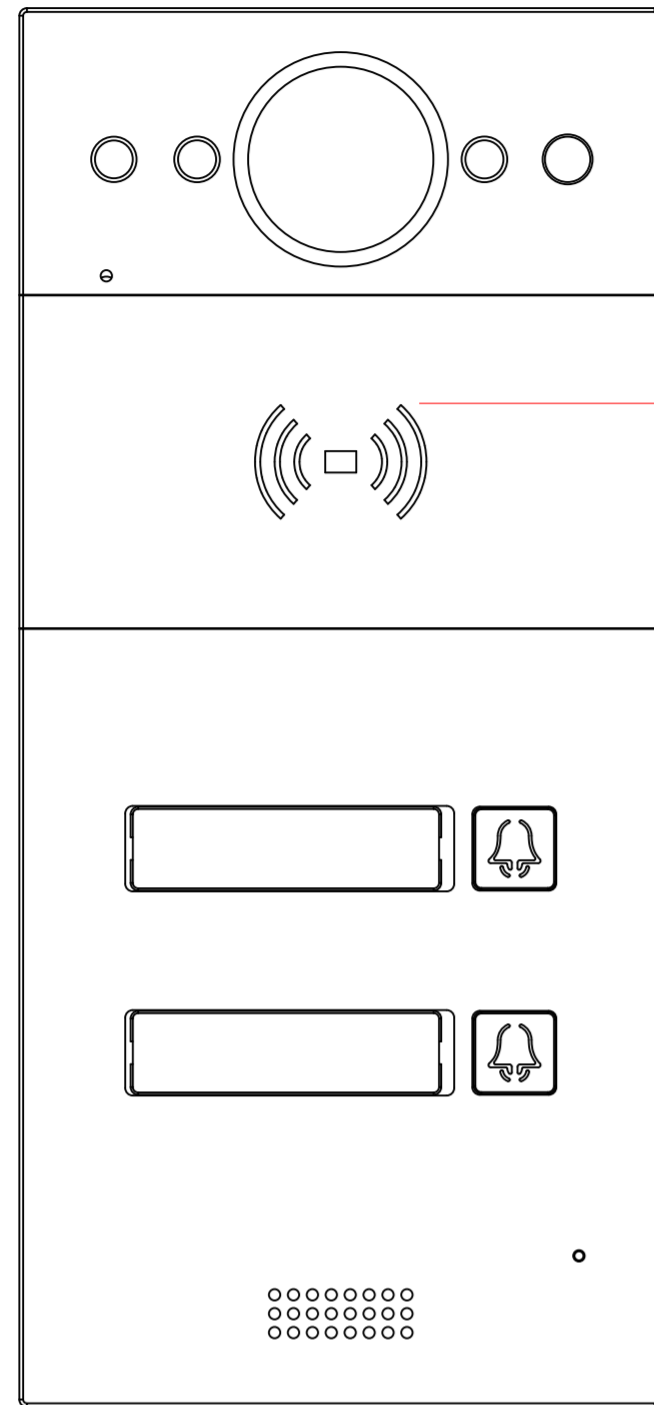
Feb 05,2021

Drawing Version

V1.0

Page

3 of 6



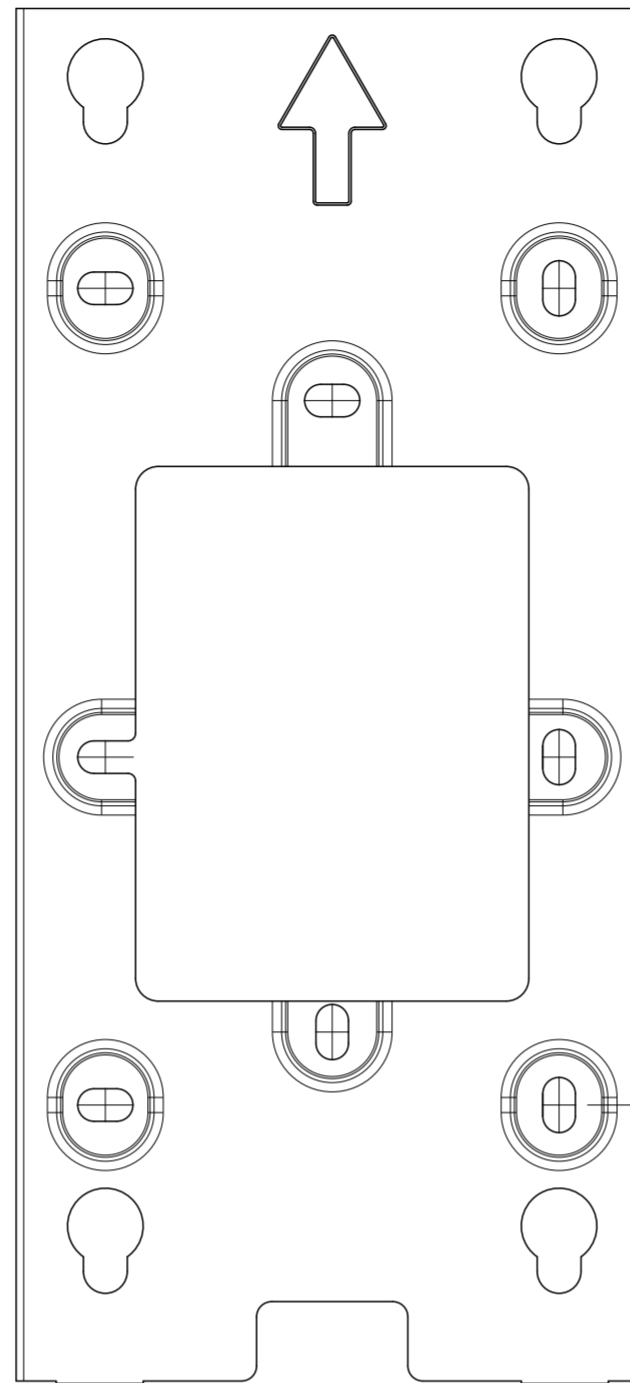
1 INTERCOM PANEL FRONT VIEW

1117.4mm TO BOTTOM OF PANEL

1220mm MAX TO TOP OF USABLE PARTS

ADA Compliance Requirement

GROUND

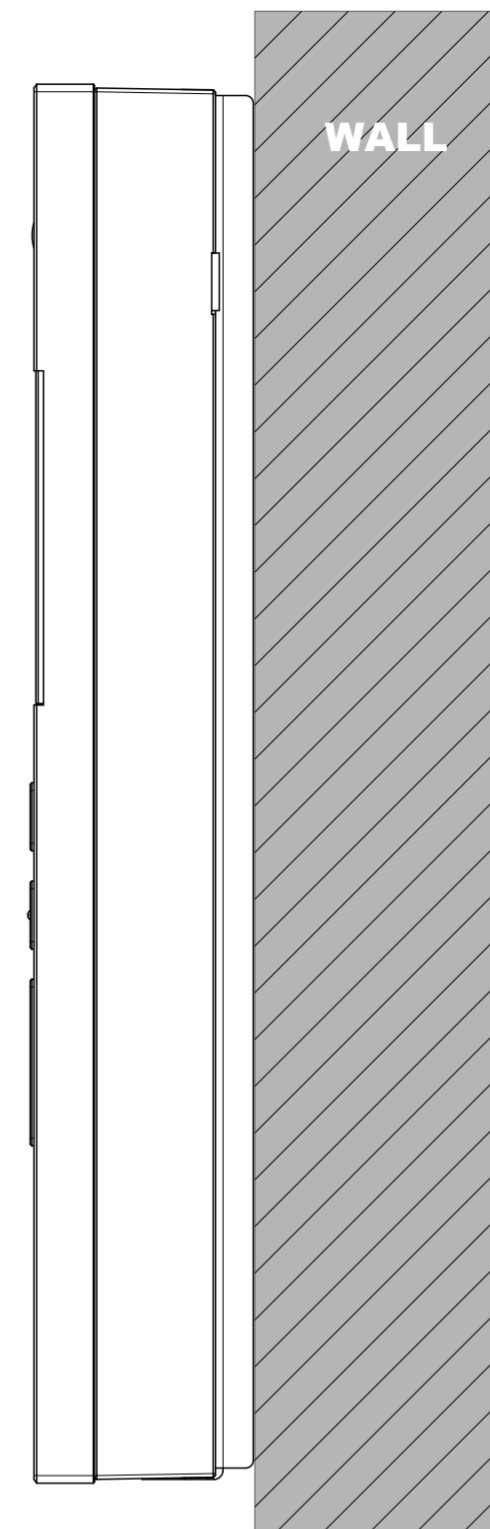


2 FRONT VIEW:WALL MOUNTING BRACKET PLACEMENT

1121.3mm TO BOTTOM OF BRACKET

1159.3mm TO SCREW HOLE CENTER OF BRACKET

GROUND



3 SIDE VIEW:INTERCOM PANEL ON WALL

Applicable Model

R20B

Drawing Title

Decorative Panel

Drawing Unit

mm

Drawing Scale

Not to scale

**DRAFT
SUBJECT TO
CHANGE**

Last Revised

Feb 05,2021

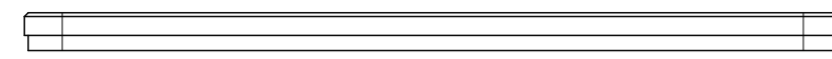
Drawing Version

V1.0

Page

4 of 6

5 TOP VIEW



108.0

84.7

20.9

15.5

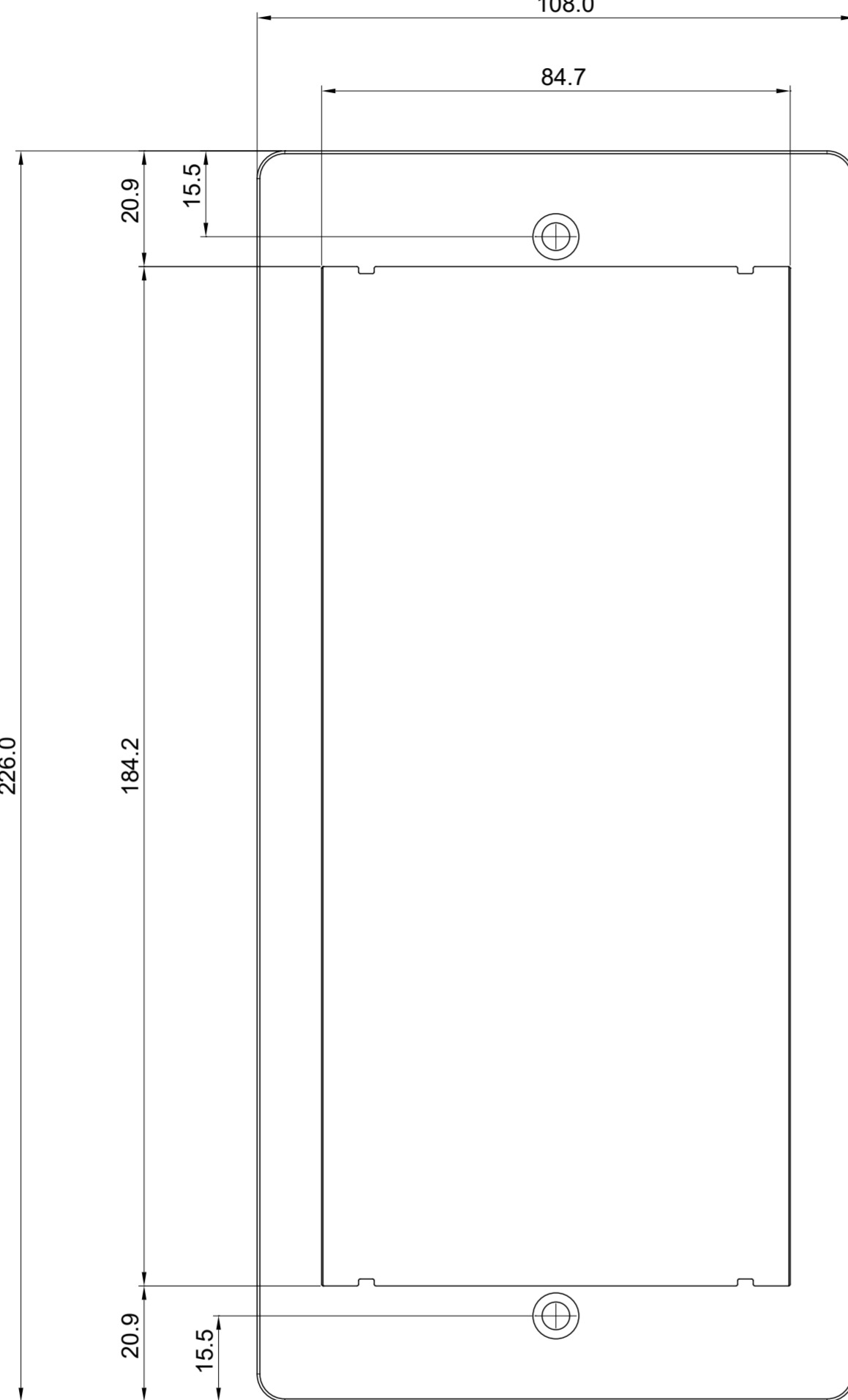
226.0

184.2

20.9

15.5

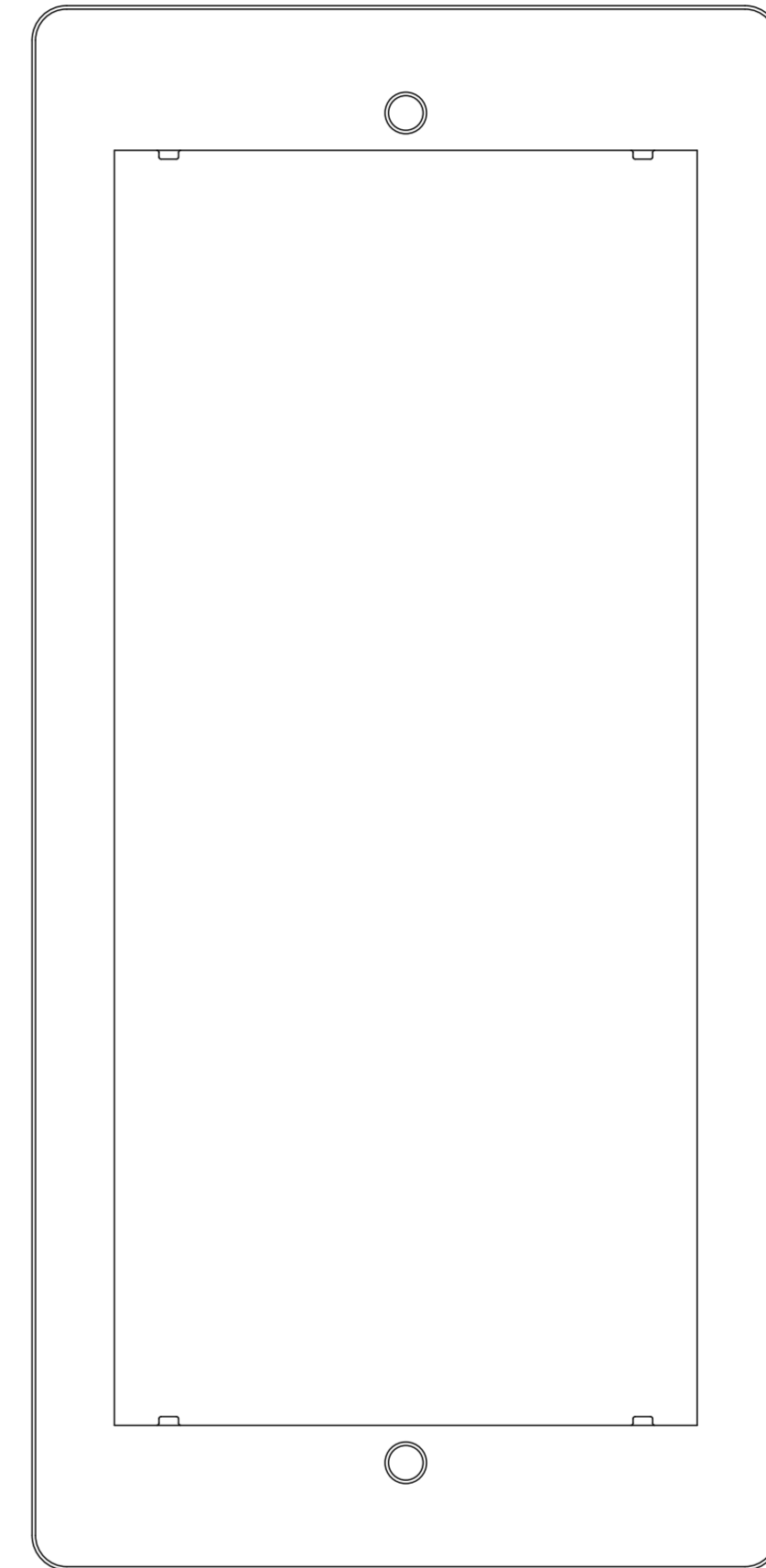
1 FRONT VIEW



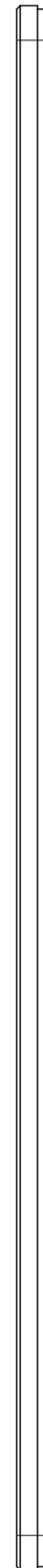
3 LEFT VIEW



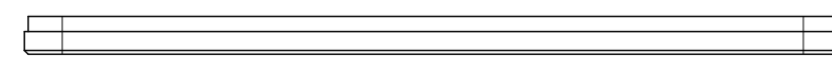
4 BACK VIEW



2 RIGHT VIEW



6 BOTTOM VIEW



Applicable Model

R20B

Drawing Title

Flush Mounting Box

Drawing Unit

mm

Drawing Scale

Not to scale

**DRAFT
SUBJECT TO
CHANGE**

Last Revised

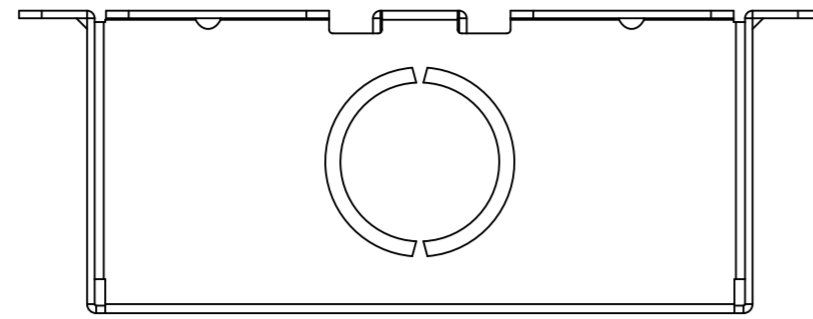
Feb 05,2021

Drawing Version

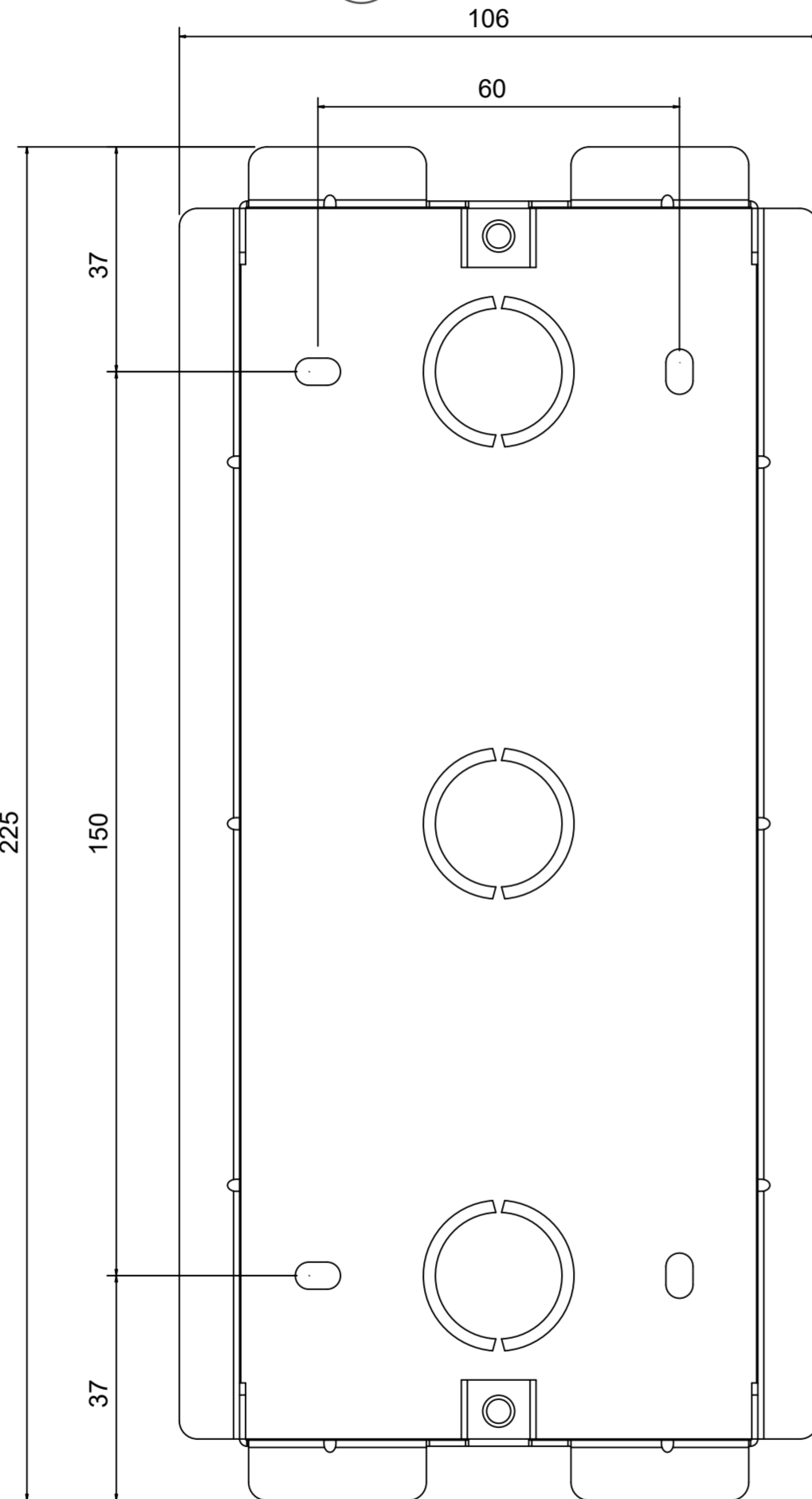
V1.0

Page

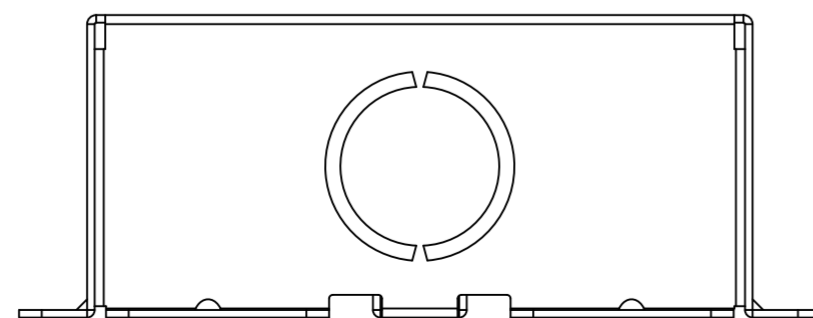
5 of 6



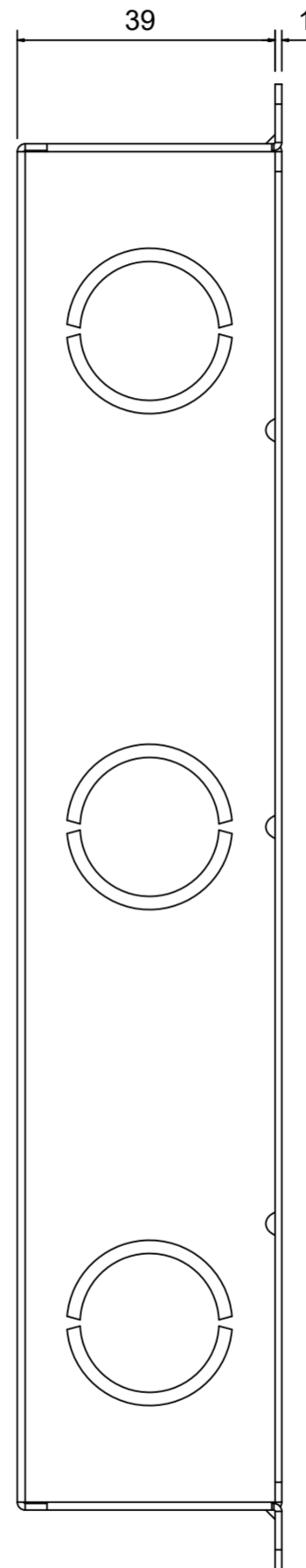
5 TOP VIEW



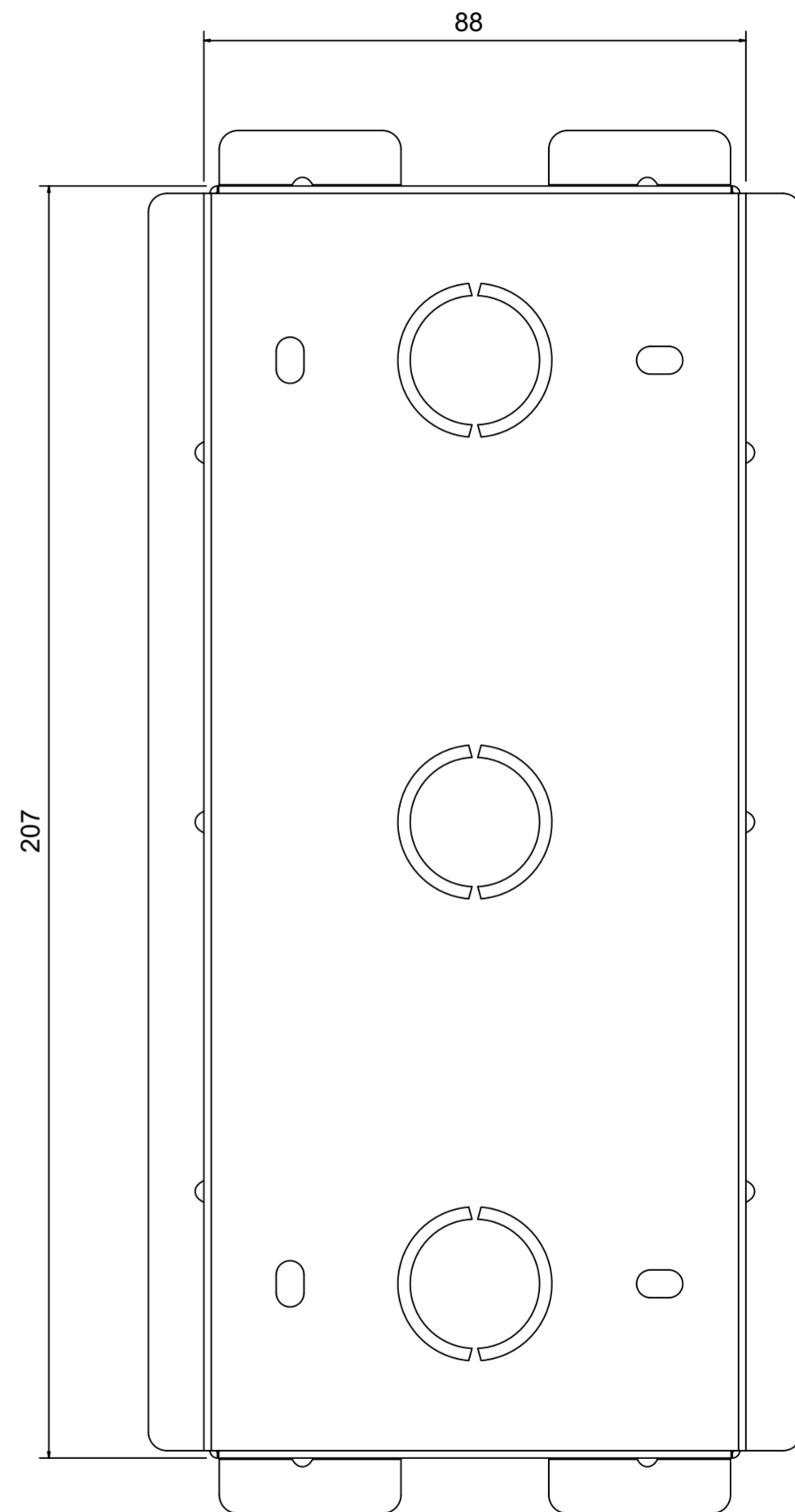
1 FRONT VIEW



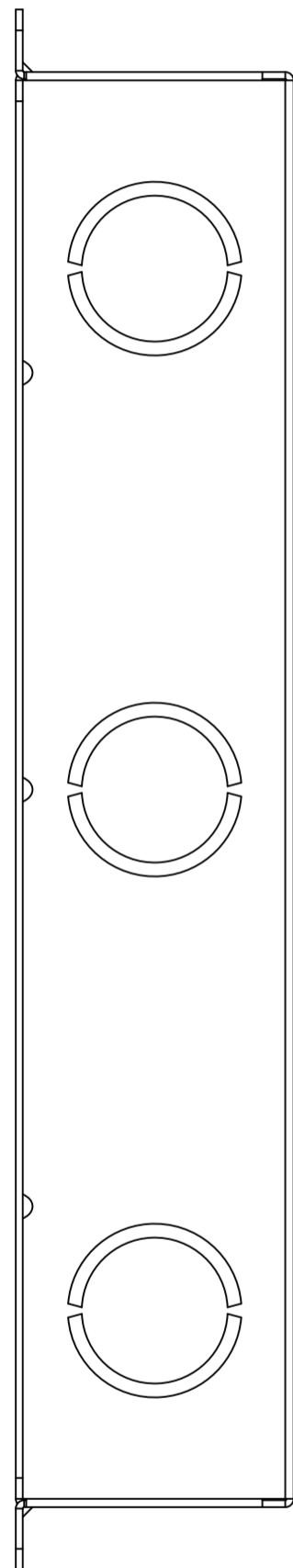
6 BOTTOM VIEW



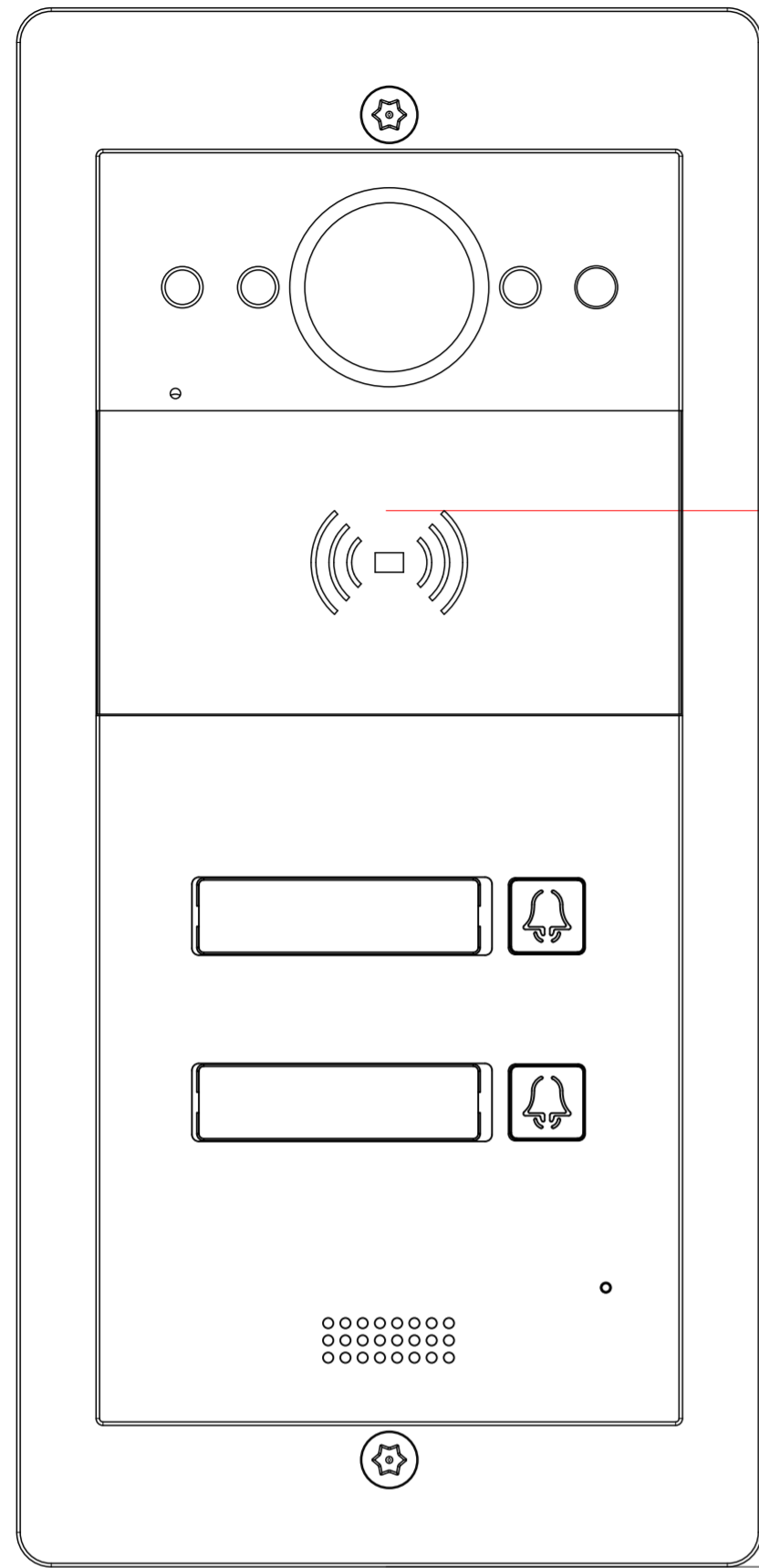
3 LEFT VIEW



4 BACK VIEW



2 RIGHT VIEW



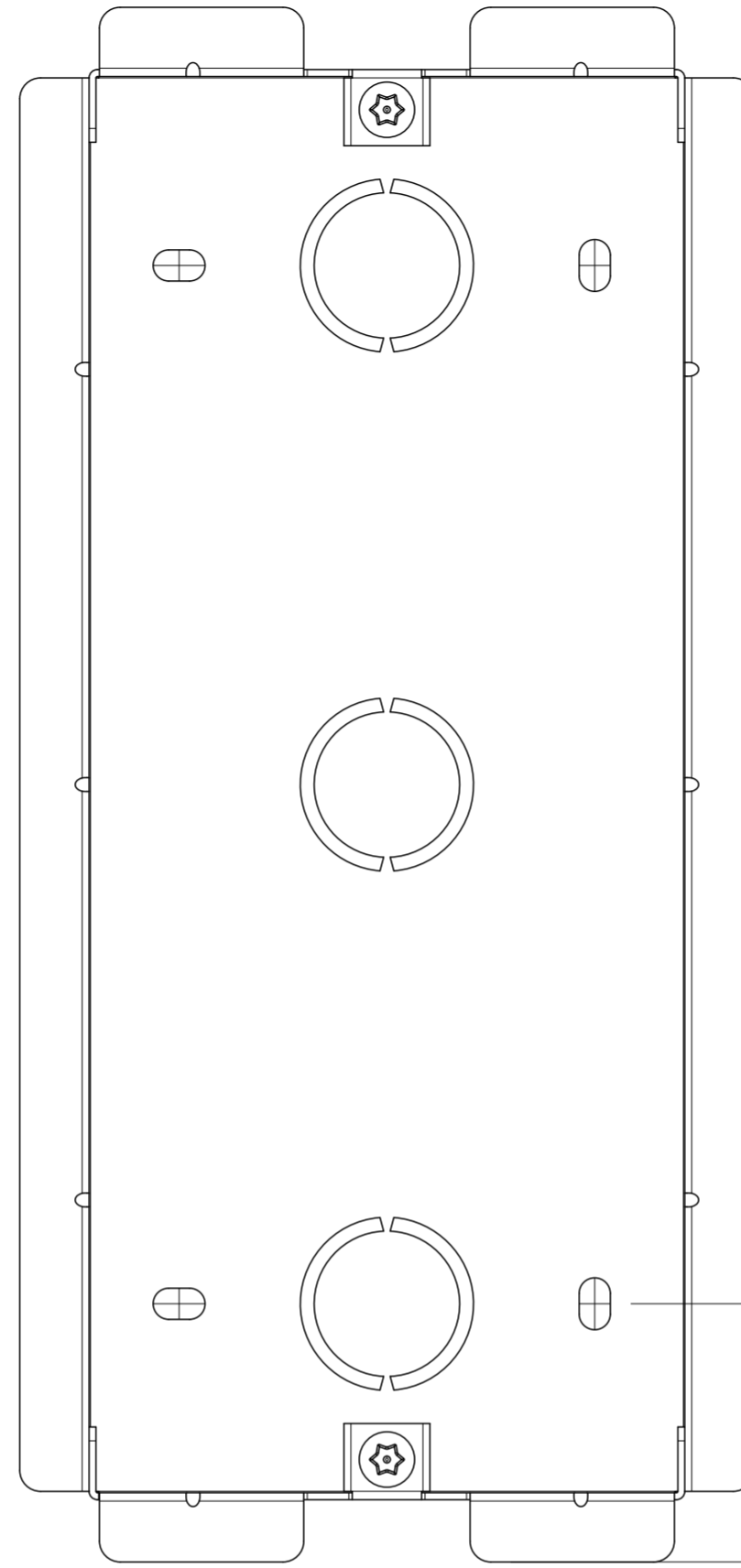
1 INTERCOM PANEL FRONT VIEW

1097mm TO BOTTOM OF PANEL

1220mm MAX TO TOP OF USABLE PARTS

ADA Compliance Requirement

GROUND

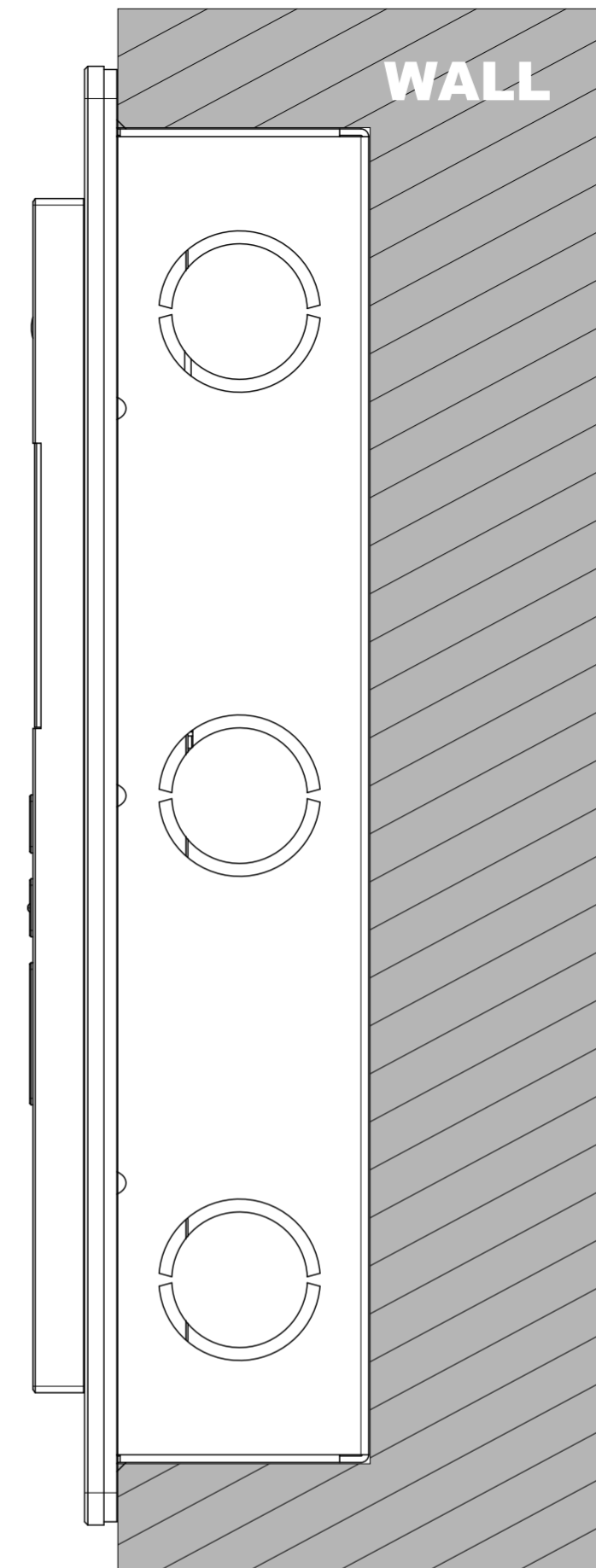


2 FRONT VIEW: FLUSHING MOUNTING BOX PLACEMENT

1097.6mm TO BOTTOM OF BRACKET

1134.9mm TO SCREW HOLE CENTER OF BRACKET

GROUND



3 SIDE VIEW: INTERCOM PANEL IN WALL

Applicable Model

R20BX2

Drawing Title

Placement

Drawing Unit

mm

Drawing Scale

Not to scale

**DRAFT
SUBJECT TO
CHANGE**

Last Revised

Feb 05,2021

Drawing Version

V1.0

Page

6 of 6