

Tiandy



TC-NC1261

12MP IR Fisheye Camera

Ultra Series



KEY FEATURES

- Up to 4000×3072@20fps
- S+265/H.265/H.264/M-JPEG
- Support Ceiling, Wall, Table Mounting
- Support Hardware Decoding and Software Decoding
- Support 360° Panoramic View, 180° Panoramic View, 4PTZ, Fisheye+3PTZ Mode
- Support Human/Vehicle Classification
- Built-in Mic&Speaker
- Smart IR, IR Range: 20m
- Operating Conditions -35°~65°, 0~95% RHG
- POE, IP66, IK10



Tiandy Technologies Co.,Ltd.

Email: sales@tiandy.com

Tel: +86-22-58596065

Website: en.tiandy.com

Fax: +86-22-58596048



SPECIFICATIONS

Camera	
Image Sensor	1/1.7" CMOS
Signal System	PAL/NTSC
Min. Illumination	Color: 0.05Lux@ (F2.8, ACG ON), B/W: 0Lux with IR
Shutter Time	1s to 1/100,000s
Day & Night	Dual IR Cut Filter with Auto Switch
Wide Dynamic Range	Digital WDR
Lens	
Lens Type	Fixed
Focus	1.98mm
Lens Mount	M12
Aperture	F2.8, Fixed
FOV	Horizontal field of view: 180°
Illuminator	
IR LEDs	3
IR Range	Up to 20m
Wavelength	850nm
White LEDs	3
Compression Standard	
Video Compression	S+265/H.265/H.264/M-JPEG
Video Bit Rate	32 Kbps to 16 Mbps
Audio Compression	G.711A/G.711U/ADPCM/AAC
Audio Bit Rate	8K~48Kbps
Image	
Max. Resolution	4000×3072
Main Stream	PAL: 20fps (4000×3072), 25fps (3072×3072, 2560×2560), 20fps (720×720, 704×576) NTSC: 20fps (4000×3072), 30fps (3072×3072, 2560×2560), 20fps (720×720, 704×480)
Sub Stream	PAL: 25fps (704×576, 704×288, 352×288) NTSC: 30fps (704×480, 704×240, 352×240)
Third Stream	N/A
Image Setting	Saturation, brightness, contrast, sharpness, adjustable by client software or web browser
Image Enhancement	BLC/3D DNR/HLC
ROI	Support 7 fixed region of coding
OSD	16×16, 24×24, 32×32, 48×48, 64×64, 96×96, adaptable size, Letters Such as Week, Date, Time, Total 5 Regions
Picture Overlay	Yes
Privace Mask	Yes
Smart Defog	Yes
Feature	
Alarm Trigger	Event Input, Event Output, Motion Detection, Mask Alarm, Disk Full, Disk R/W Error, IP Address Conflict, MAC Address Conflict, FTP Server Exception
Video Analytics	Tripwire, Double Tripwire, Perimeter, Video Abnormal, Audio Abnormal, Heat Map, Face Detection, Demographics
Early Warning(EW)	Yes
Smart Codec	N/A
Smart Image	N/A
Smart Alarm	N/A



Network	
ANR	Yes, auto store video in SD card when NVR disconnected, and upload video to NVR when resumed connection (Only Support Tiandy ANR NVR)
Protocols	TCP/IP, ICMP, HTTP, HTTPS, DHCP, DNS, DDNS, MULTICAST, UPnP, FTP, IPV4, NTP, RTSP, SMTP, IGMP, PPPoE
System Compatibility	ONVIF (PROFILE S), SDK, CGI, P2P
Remote Connection	≤7
Client	Easy7, EasyLive
Web Version	Web5
Interface	
Communication Interface	1 RJ45 10M/100M/1000M self adaptive Ethernet port
Audio	1/2, Mic in
Alarm	2/1
Reset Button	Yes
On-board storage	Built-in MicroSD card slot, up to 128 GB
General	
Firmware Version	NVSS_V9.1.0.20170206
Web Client Language	11 languages English, Russian, Spanish, Korean, Italian, Turkish, Simple Chinese, Traditional Chinese, Thai, French, Polish
Operating Conditions	-35°C ~ 65°C, 0 ~ 95% RH
Power Supply	DC12V±10%/AC24V±25%/PoE
Power Consumption	8.6W/11.7W(MAX)
Protection	IP66, IK10
Heater	N/A
Dimensions	Φ155×54 mm (Φ6.1*2.13 inch)
Weight	0.75kg (1.65lb)

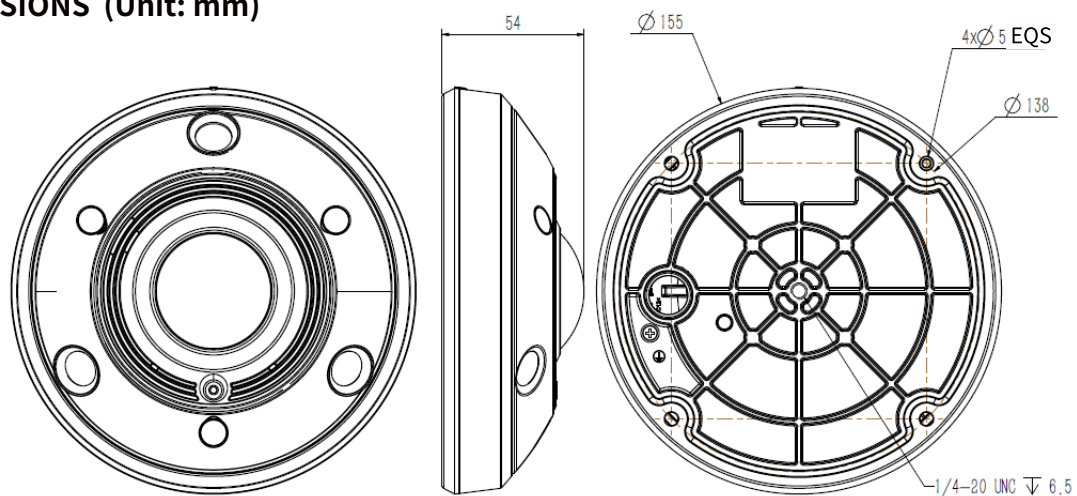
* Listed resolutions are only selectable options. It does not mean that all streams can work at their maximum resolution at the same time.

AVAILABLE MODEL

TC-NC1261

Tiandy

DIMENSIONS (Unit: mm)



ACCESSORIES



A22a
Junction Box



A22b
Junction Box

DISTRIBUTED BY



Tiandy Technologies Co.,Ltd.

Email: sales@tiandy.com
Website: en.tiandy.com

Tel: +86-22-58596065
Fax: +86-22-58596048