

Tiandy



TC-H326M Spec:44X/IW/A

2MP 44× Starlight IR AEW AI PTZ Camera



Ultra Series

KEY FEATURES

- Auto-tracking Early Warning (AEW)
- Up to 1920×1080@60fps
- Min. illumination Color: 0.0008Lux@F1.6
- Optical zoom: 44×, digital zoom 16×
- Smart IR, IR Range: 200m
- Built-in Speaker
- S+265/H.265/H.264/M-JPEG
- Intelligent monitoring/ Face Capture mode
- Plugin Free
- IP66



Tiandy Technologies Co.,Ltd.

Email: sales@tiandy.com

Tel: +86-22-58596065

Website: en.tiandy.com

Fax: +86-22-58596048

SPECIFICATIONS

| Camera | |
|----------------------|--|
| Image Sensor | 1/1.8" CMOS |
| Signal System | PAL/NTSC |
| Min. Illumination | Color: 0.0008lux@ (F1.6, ACG ON), BW: 0lux with IR |
| Shutter Time | 1s to 1/100,000s |
| Day & Night | Dual IR Cut Filter with Auto Switch |
| Wide Dynamic Range | 140dB |
| Optical Zoom | 44x |
| Digital Zoom | 16x |
| Lens | |
| Focal Length | 6mm~264mm |
| Zoom Speed | <5s |
| Angle of View | Horizontal filed of view : 61.8° (w)~2.3° (t) Vertical filed of view : 36.3° (w)~1.3° (t) |
| Aperture Range | F1.6~F5.3 |
| Pan&Tilt | |
| Pan Range | 360° |
| Pan Speed | Pan Manual Speed: 0.1°~180°/s, Pan Preset Speed: 240°/s |
| Tilt Range | -16°~90° (Auto flip) |
| Tilt Speed | Tilt Manual Speed: 0.1°~120°/s, Tilt Preset Speed: 180°/s |
| 3D Position | Yes |
| Presets | 500 |
| Preset Accuracy | ±0.3° |
| Scan | 8 |
| Cruise | 16, up to 32 presets per cruise |
| Pattern | 8, each with 600s memory or 1000 orders |
| Power-off Memory | Yes |
| RS-485 Protocols | DOME_PELCO_D , DOME_PELCO_P , DOME_PLUS |
| Illuminator | |
| IR LEDs | 8 |
| IR Range | Up to 200m |
| IR Irradiation Angle | Adjustable by Zoom |
| White LEDs | 2 |
| Compression Standard | |
| Video Compression | S+265/H.265/H.264/M-JPEG |
| Video Bit Rate | 32Kbps~16Mbps |
| Audio Compression | G.711A/G.711U/ADPCM_D/AAC_LC |
| Audio Bit Rate | 8K~48Kbps |
| Image | |
| Max. Resolution | 2.0MP (1920×1080) |
| Main Stream | PAL: 50fps (1920×1080, 1280×960, 1280×720, 704×576, 640×480) |
| | NTSC: 60fps (1920×1080, 1280×960, 1280×720, 704×480, 640×480) |
| Sub Stream | PAL: 25fps (704×576, 704×288, 640×360, 352×288) |
| | NTSC: 30fps (704×480, 704×240, 640×360, 352×240) |
| Third Stream | PAL: 25fps (704×576, 704×288, 352×288) |
| | NTSC: 30fps (704×480, 704×240, 352×240) |
| Image Setting | Saturation, brightness, contrast, sharpness, adjustable by client software or web browser |
| Image Enhancement | BLC/3D DNR/HLC |
| ROI | 7 Dynamic Areas for Both Main and Sub Stream, support auto-tracking ROI |
| OSD | 16×16, 24×24,32×32, 48×48, 64×64, 96×96, adaptable size, Letters Such as Week, Date, Time, Total 5 Regions |
| Picture Overlay | Yes |
| Privace Mask | Yes |
| Smart Defog | Yes |



| Feature | |
|------------------------------|---|
| Alarm Trigger | Harsh Voice Alarm, Motion Detection, Mask Alarm, Network Disable Alarm, IP Conflict, MAC Conflict Detection |
| Video Analytics | Tripwire, Double Tripwire, Perimeter, Object Abandon, Object Lost, Loitering, Running, Parking, Heatmap, Video Abnormal, Crowd, Audio Abnormal, Demographics(People Counting), On Duty Detection, Safety Helmet Detection, Auto tracking, Face Capture, Early Warning |
| Early Warning(EW) | Yes |
| Auto-Tracking | Yes |
| Face Detection and Analytics | |
| Operating Mode | Face capture, intelligent monitoring optional, default intelligent monitoring |
| Face Detection Performance | Detects up to 16 faces at the same scene |
| Face Exposure Brightness | Default 35, 1~100 brightness optional |
| Min. Face Pixel | Default 80, 19~1920 optional |
| Precautionary Alert | Three level |
| Network | |
| Protocols | TCP/IP, ICMP, HTTP, HTTPS, FTP, DHCP, DNS, DDNS, RTSP, PPPoE, NTP, UPnP, SMTP, IGMP, QoS, IPV4, IPV6, MULTICAST, RTMP |
| System Compatibility | ONVIF (PROFILE S/T/G), SDK, CGI, P2P |
| ANR | Auto store video in SD card when NVR disconnected, and upload video to NVR when resumed connection (Only Support Tiandy ANR NVR) |
| Remote Connection | ≤7 |
| Client | Easy7, EasyLive |
| Web Version | web6 |
| Interface | |
| Communication Interface | 1 RJ45 10M/100M self adaptive Ethernet port |
| Audio | 1/1 |
| Alarm | 8/2 |
| Speaker | Yes |
| Reset Button | Yes |
| On-board storage | Built-in Micro SD card slot, up to 256 GB |
| RS-485 | Yes |
| BNC | Yes |
| Wiper | Yes |
| General | |
| Firmware Version | - |
| Web Client Language | 15 languages Simplified Chinese, Traditional Chinese, English, Spanish, Korean, Italian, Turkish, Russian, Thai, French, Polish, Dutch, Hebraism, Arabic, Vietnamese |
| Operating Conditions | -30°C~70°C (IR OFF), -30°C~40°C (IR ON), 0-95%RH |
| Power Supply | AC24V±15% |
| Power Consumption | 22W(IR OFF), 43W(IR ON) |
| Protection | IP66 |
| Heater | N/A |
| Dimensions | Φ222x372mm(Φ8.74×14.65inch) |
| Weight | 5.45kg(12.02lb) |

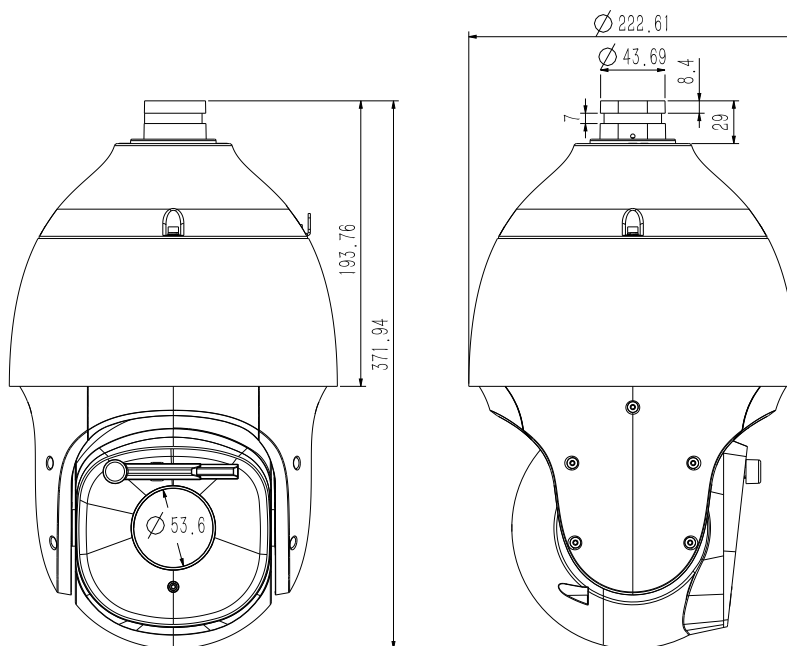
* Listed resolutions are only selectable options. It does not mean that all streams can work at their maximum resolution at the same time.

AVAILABLE MODEL

TC-H326M SPEC:44X/IW/A

Tiandy

DIMENSIONS (Unit: mm)



ACCESSORIES

INCLUDED



DF20Y
Wall Mount

OPTIONAL



A37
Installation Adapter



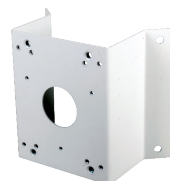
A38
Ceiling Mount



DF21Y
Pendant Mount



A36
Pole Mount



A35
Corner Mount



811
Junction Box

DISTRIBUTED BY



Tiandy Technologies Co.,Ltd.

Email: sales@tiandy.com

Tel: +86-22-58596065

Website: en.tiandy.com

Fax: +86-22-58596048