

Applicable Model

X915

Drawing Title

Intercom Panel

Drawing Unit

mm

Drawing Scale

Not to scale

**DRAFT
SUBJECT T
CHANGE**

Last Revised

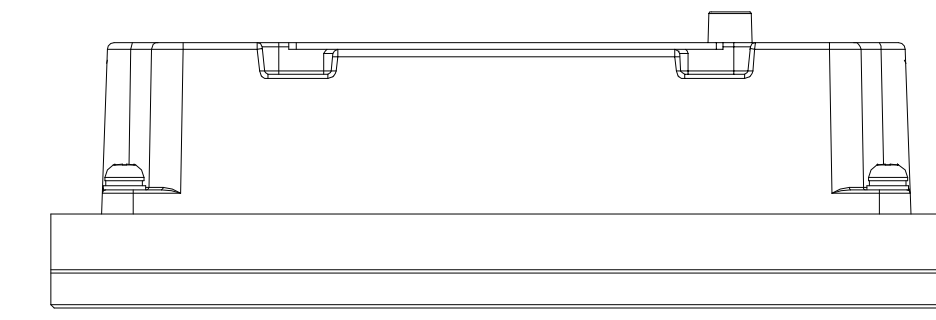
Sept. 28, 2021

Drawing Version

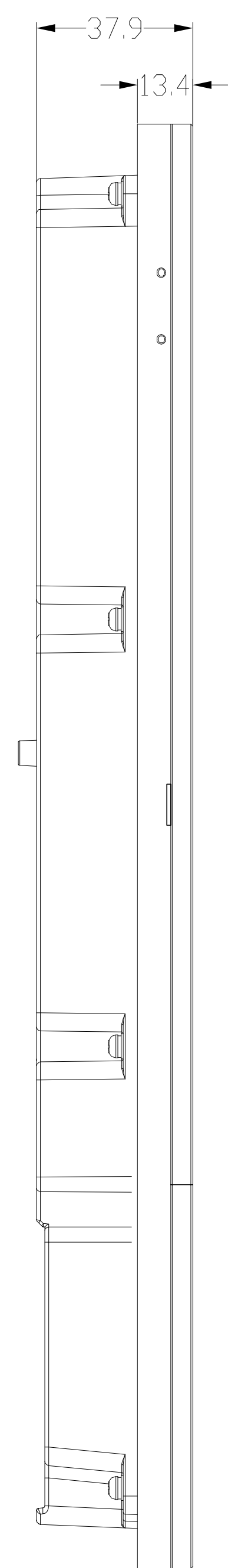
V1.1

Page

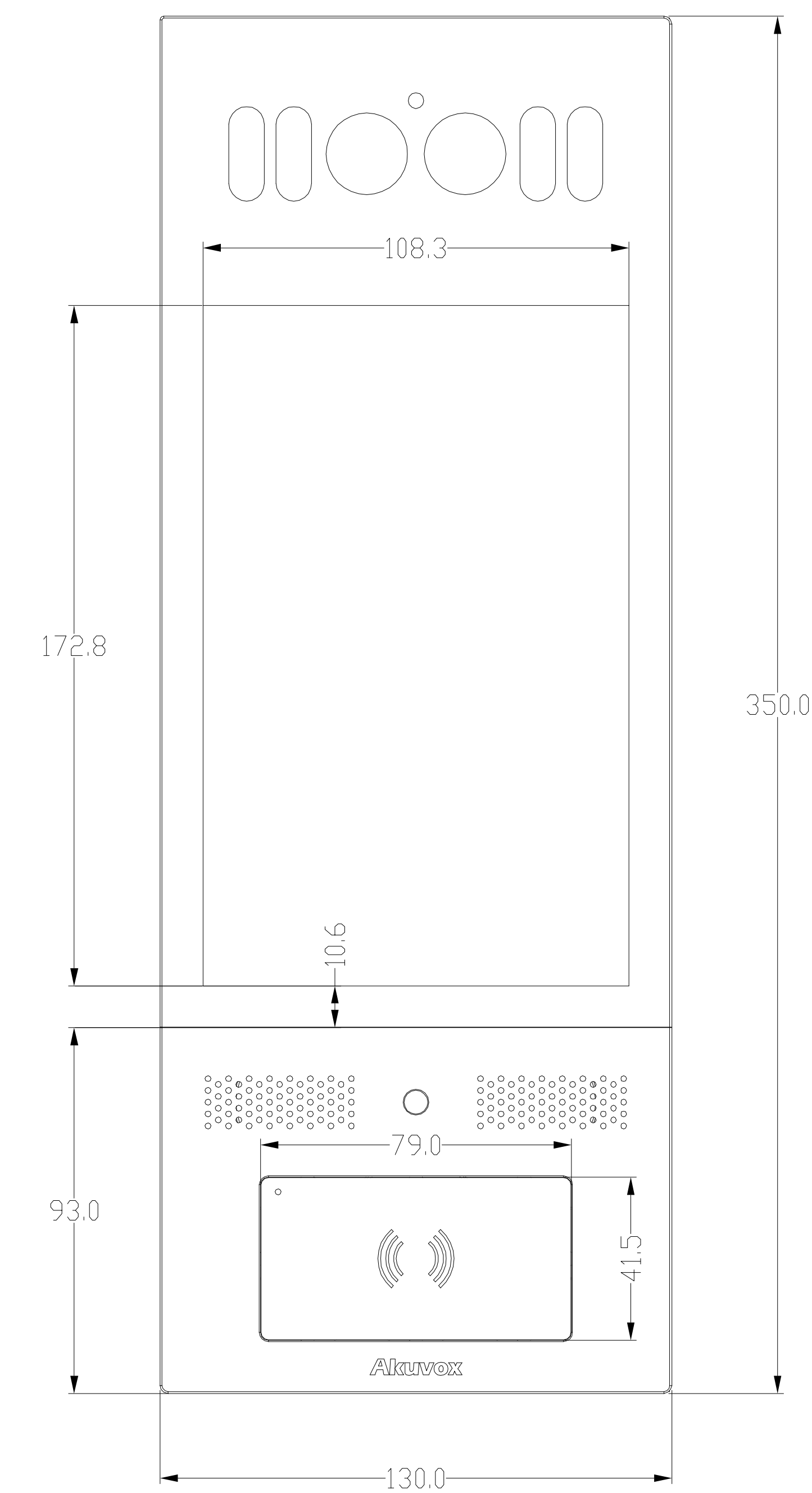
1 of 9



5 **TOP VIEW**



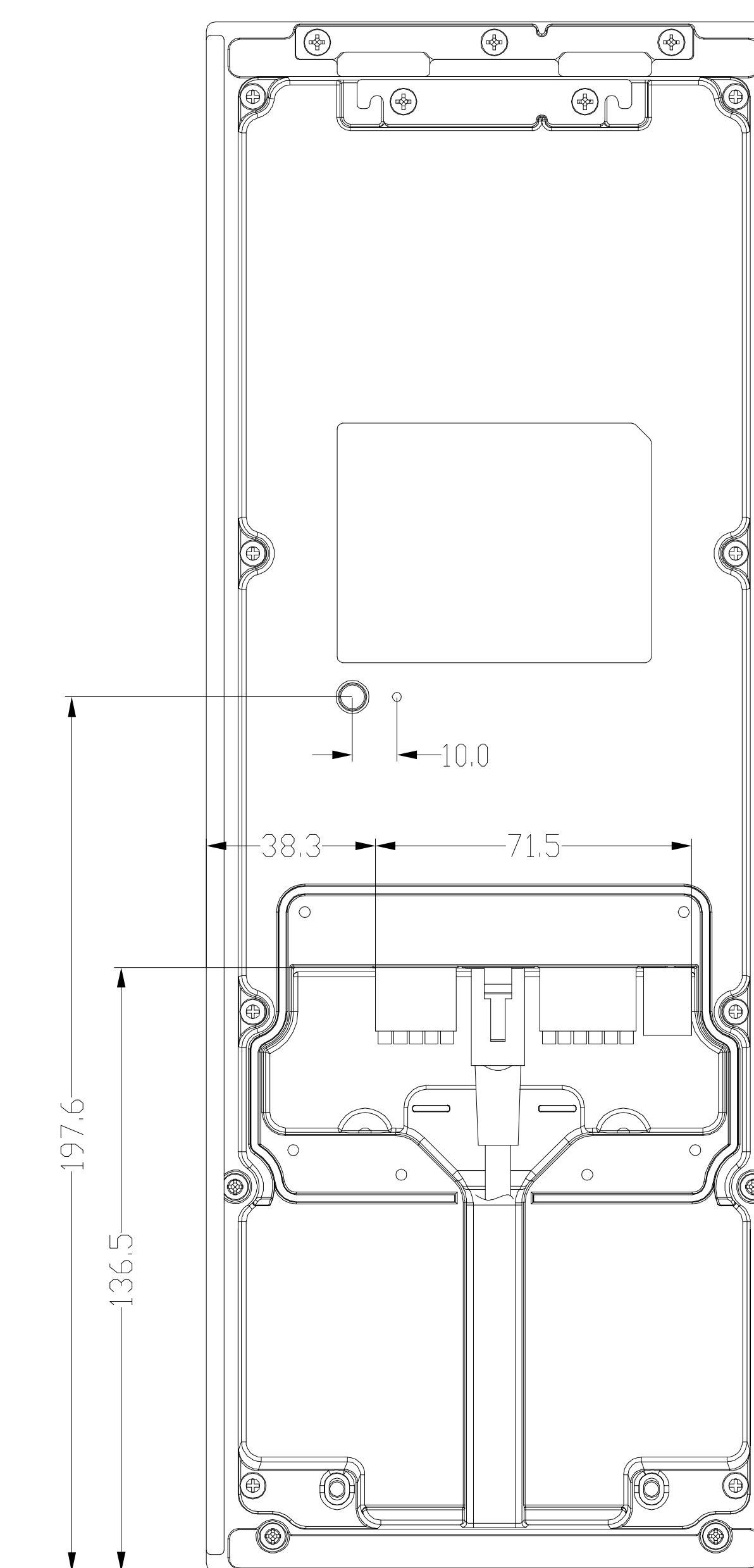
2 **RIGHT VIEW**



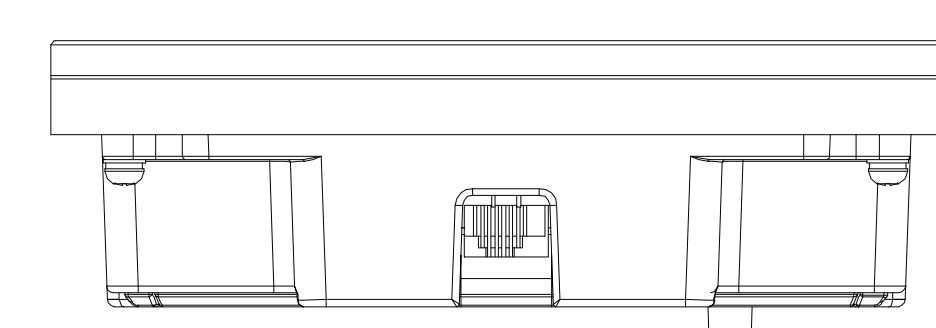
1 **FRONT VIEW**



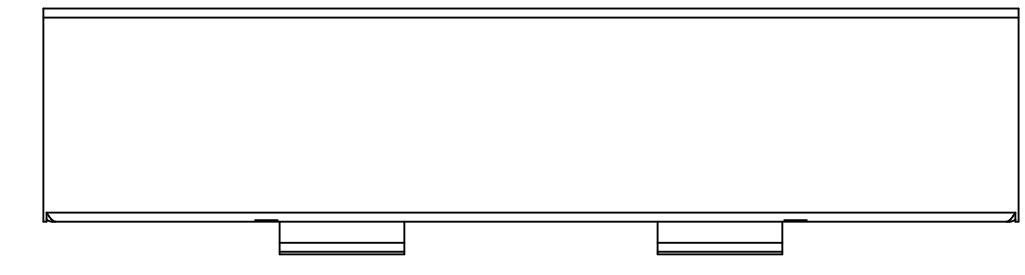
3 **LEFT VIEW**



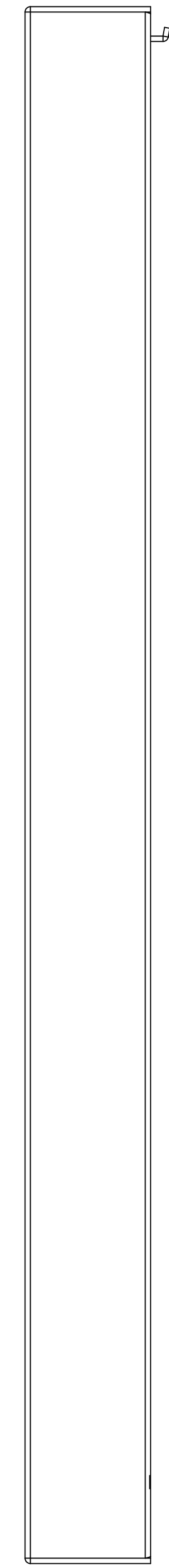
4 **BACK VIEW**



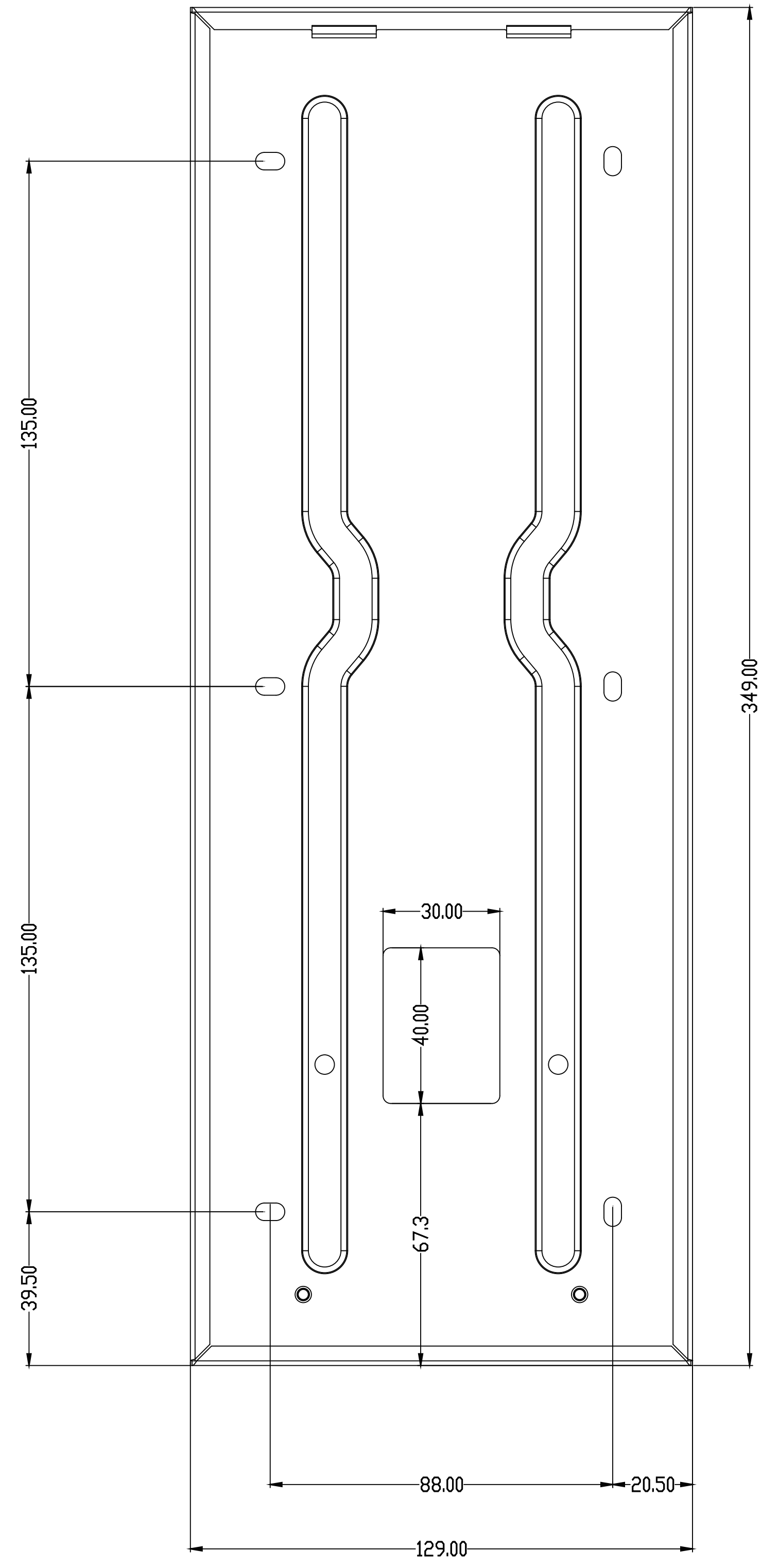
6 **BOTTOM VIEW**



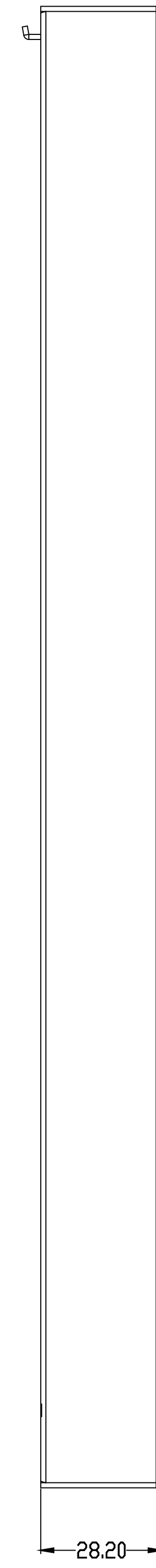
5 TOP VIEW



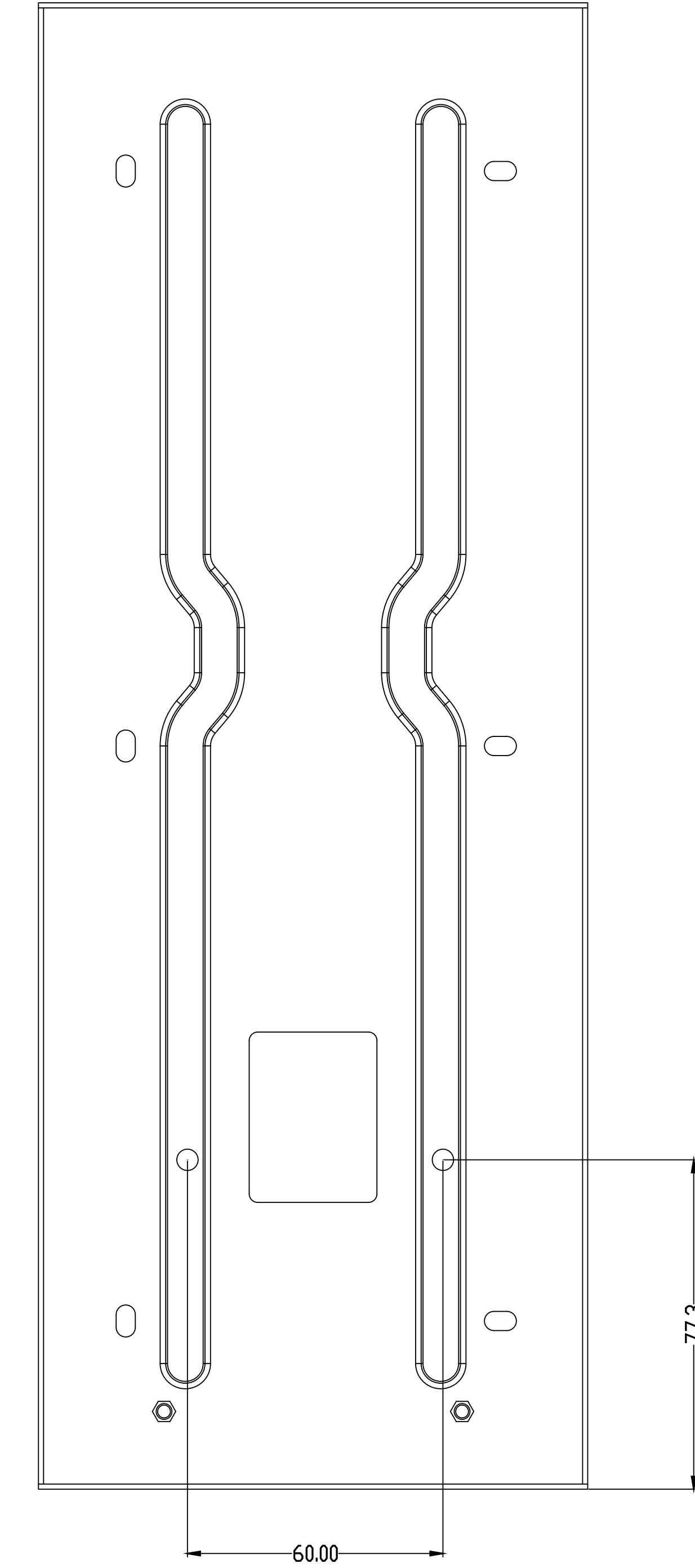
2 RIGHT VIEW



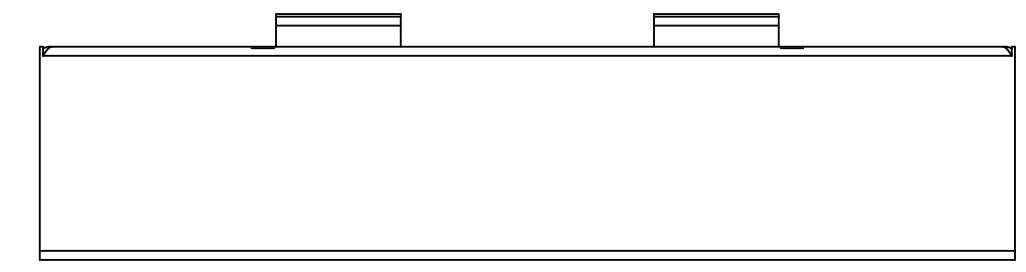
1 FRONT VIEW



3 LEFT VIEW



4 BACK VIEW



6 BOTTOM VIEW

Applicable Model

X915

Drawing Title

Intercom Panel

Drawing Unit

mm

Drawing Scale

Not to scale

**DRAFT
SUBJECT TO
CHANGE**

Last Revised

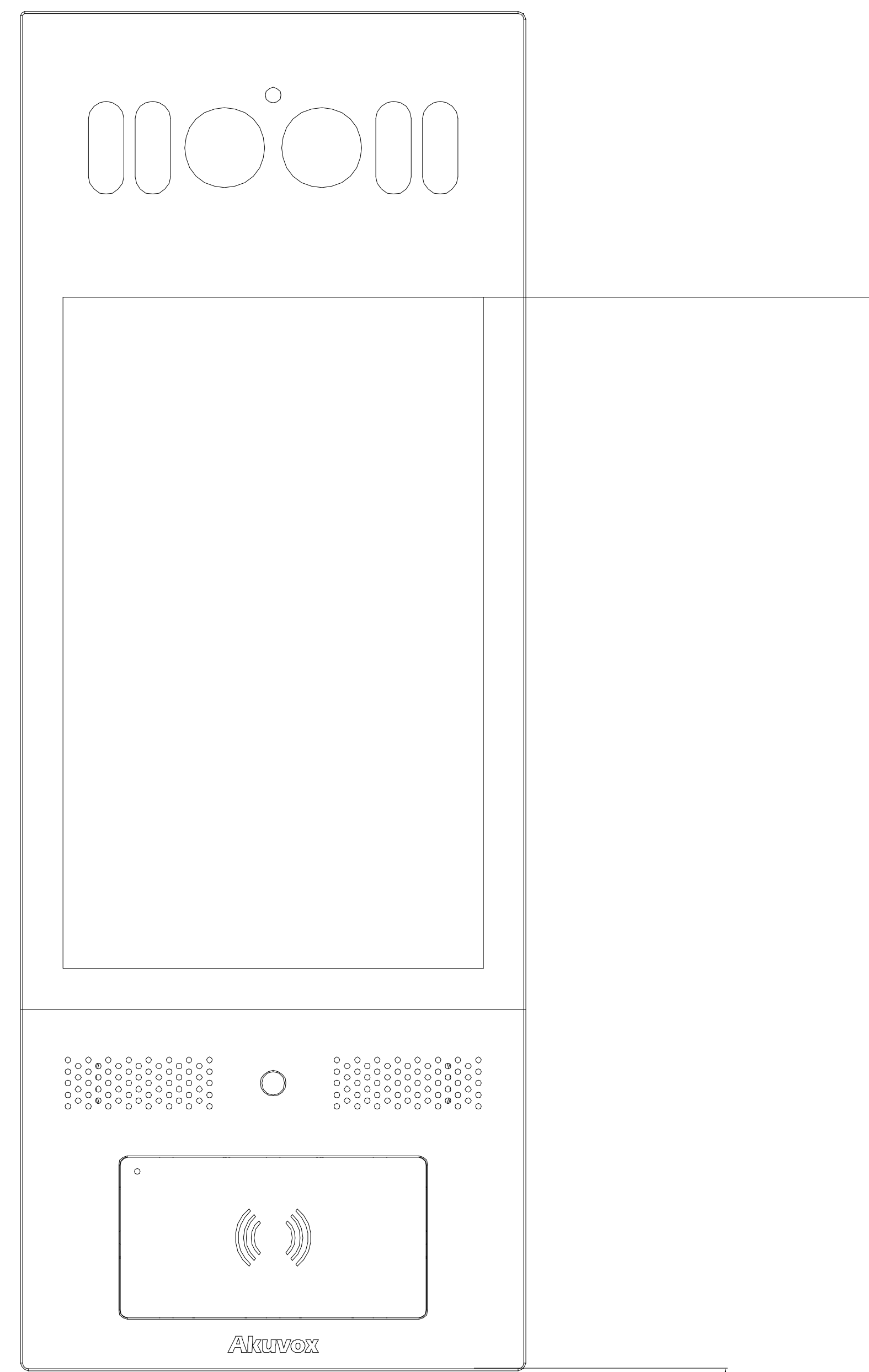
Sept. 28, 2021

Drawing Version

V1.1

Page

2 of 9



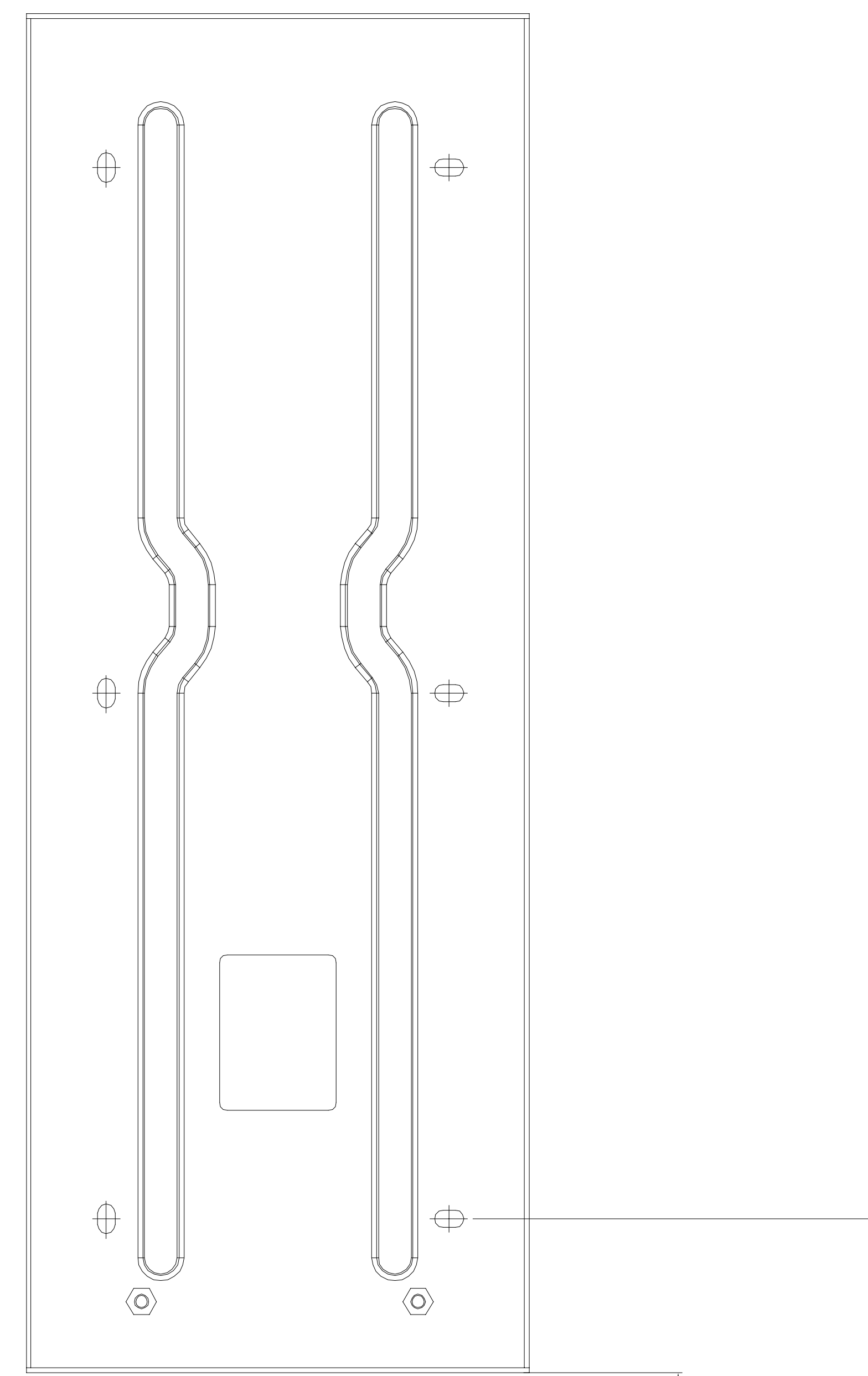
① INTERCOM PANEL FRONT VIEW

923.6mm TO BOTTOM OF PANEL

1200mm MAX TO TOP OF USABLE TOUCHSCREEN

ADA Compliance Requirement

GROUND

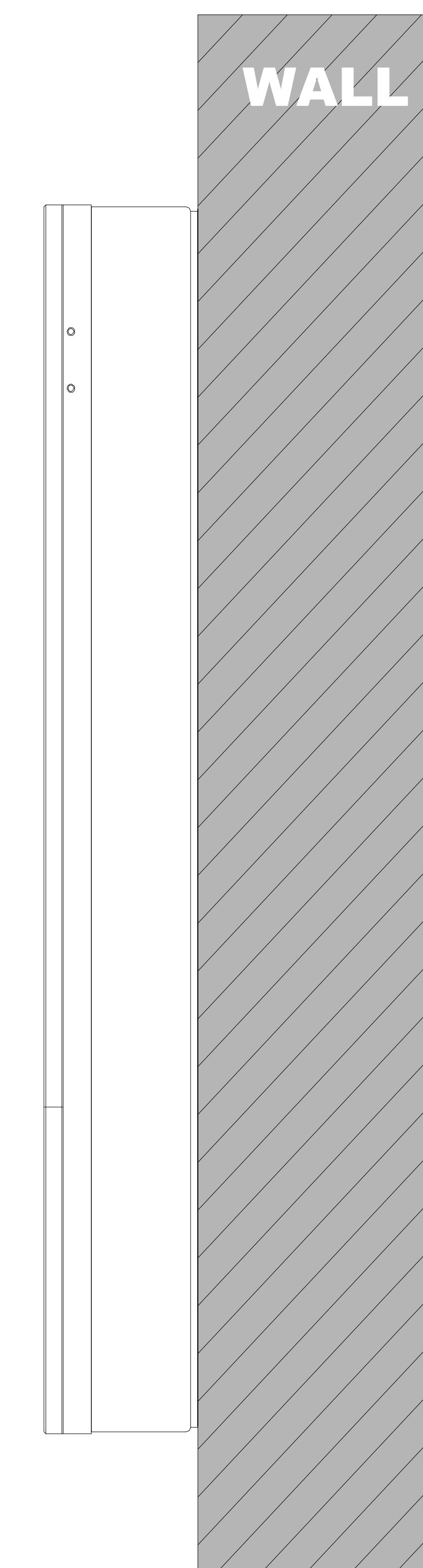


② FRONT VIEW: WALL MOUNTING BOX PLACEMENT

924.1mm TO BOTTOM OF BRACKET

963.6mm TO SCREW HOLE CENTER OF BRACKET

GROUND



③ SIDE VIEW: INTERCOM ON WALL

Applicable Model

X915

Drawing Title

Intercom Panel

Drawing Unit

mm

Drawing Scale

Not to scale

DRAFT
SUBJECT TO
CHANGE

Last Revised

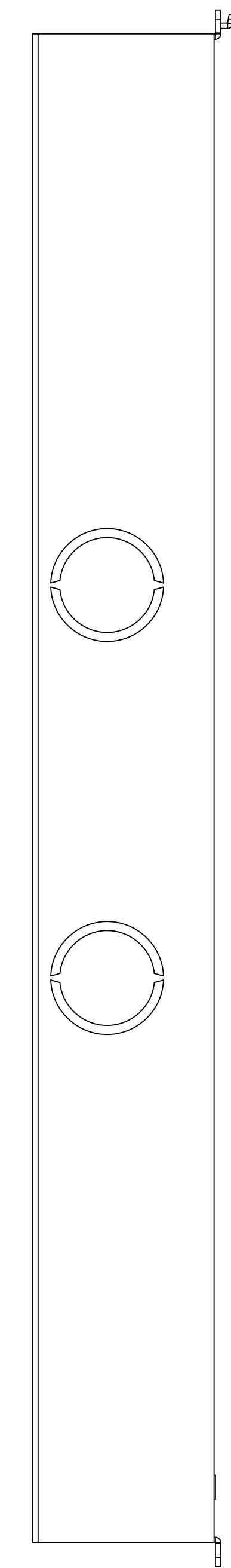
Sept. 28, 2021

Drawing Version

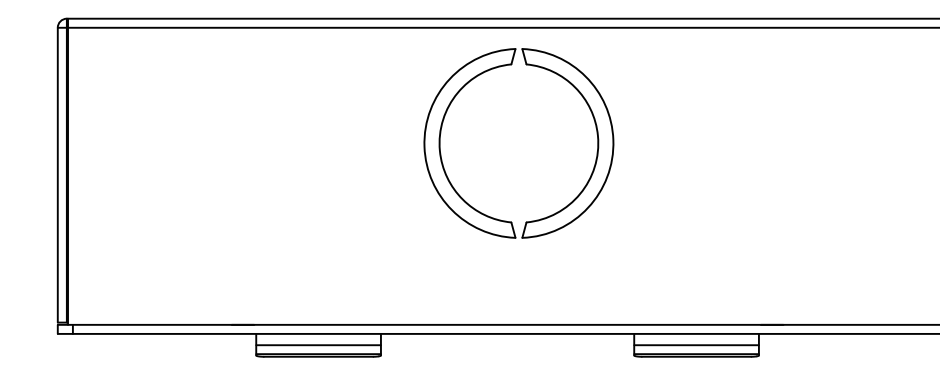
V1.1

Page

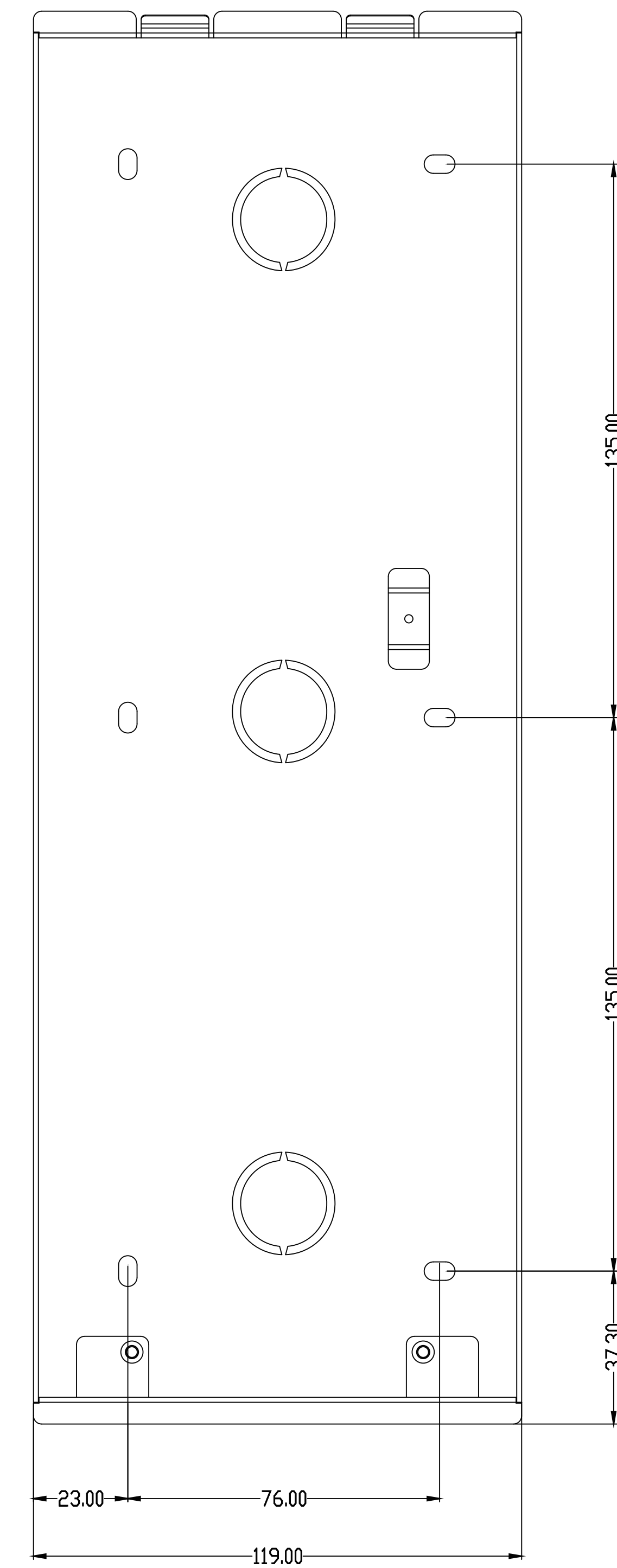
3 of 9



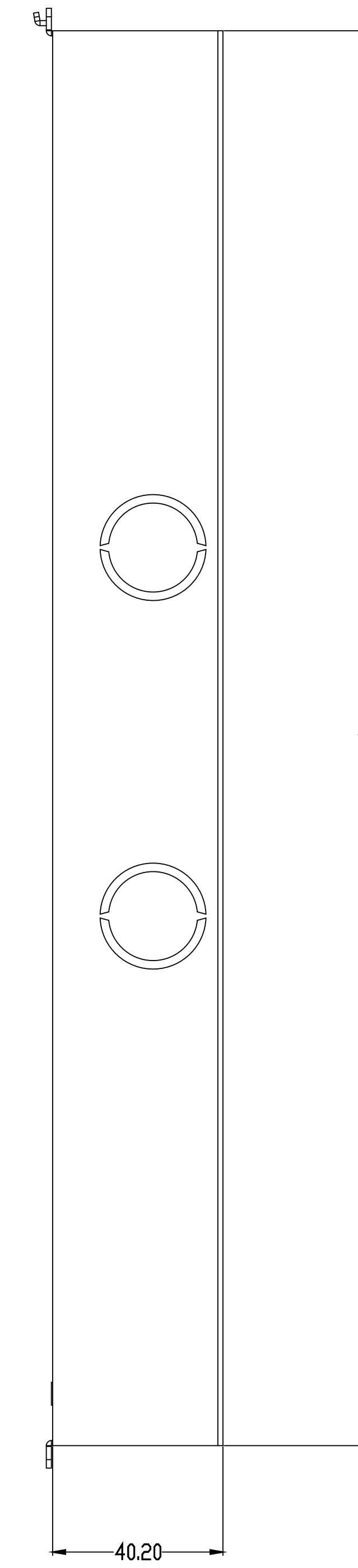
2 RIGHT VIEW



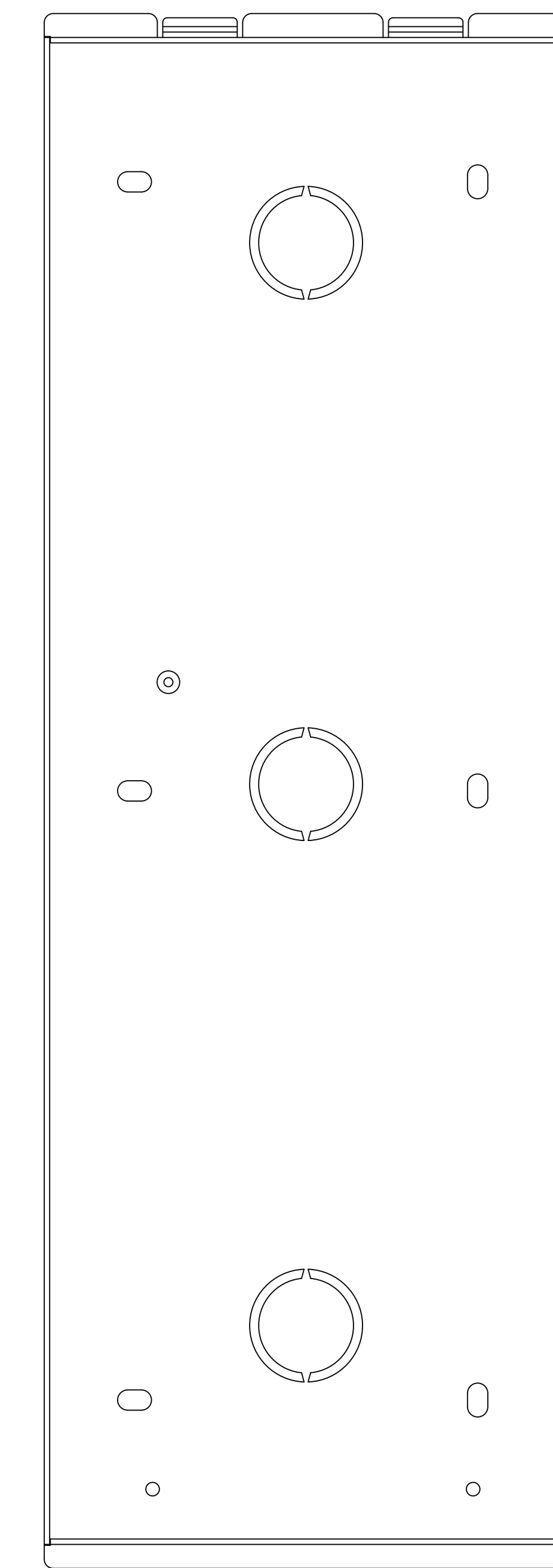
5 TOP VIEW



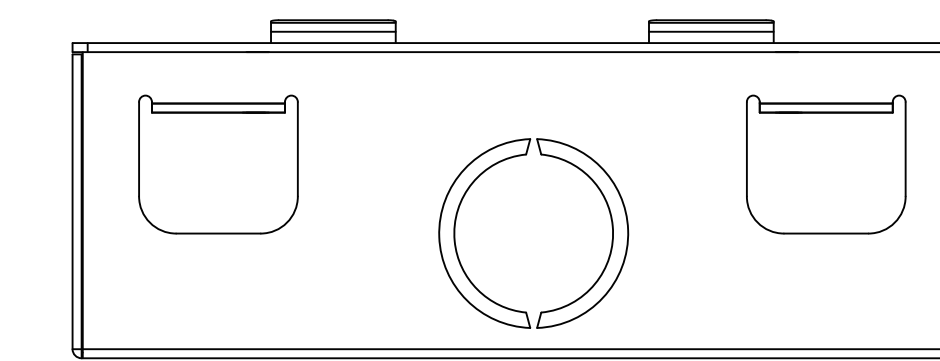
1 FRONT VIEW



3 LEFT VIEW



4 BACK VIEW



6 BOTTOM VIEW

Applicable Model

X915

Drawing Title

Intercom Panel

Drawing Unit

mm

Drawing Scale

Not to scale

**DRAFT
SUBJECT TO
CHANGE**

Last Revised

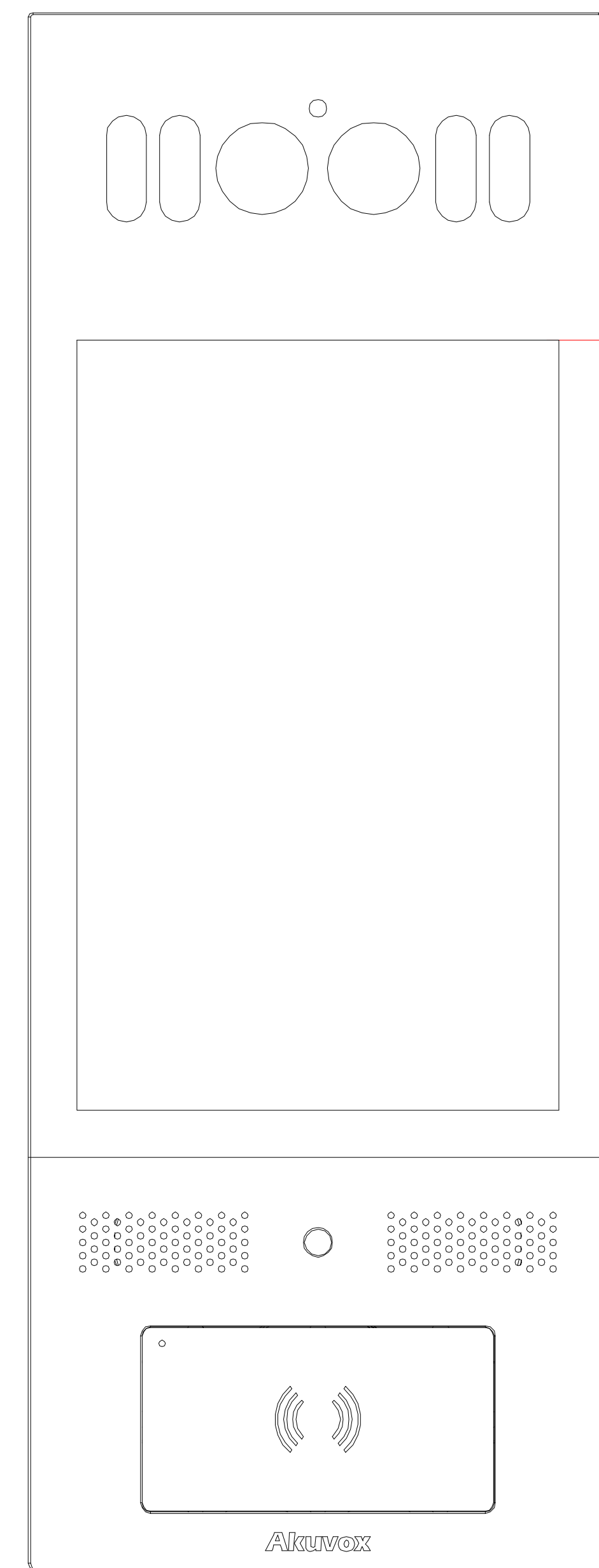
Sept. 28, 2021

Drawing Version

V1.1

Page

4 of 9



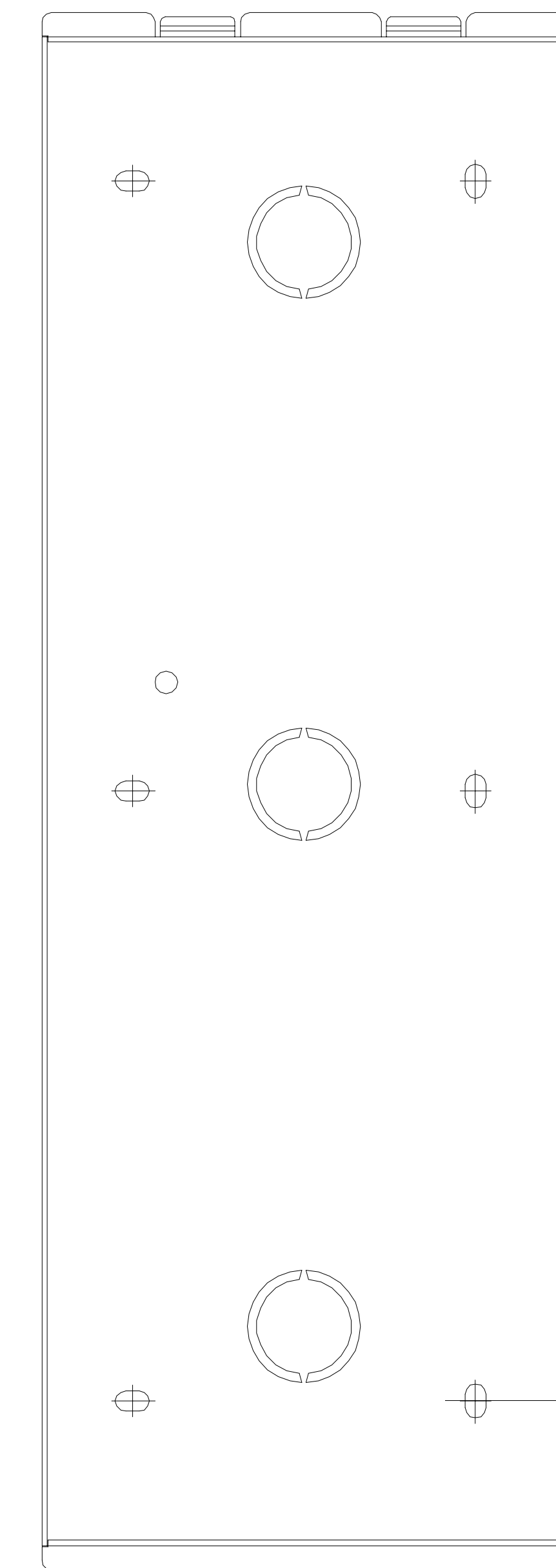
① INTERCOM PANEL FRONT VIEW

923.6mm TO BOTTOM OF PANEL

1200mm MAX TO TOP OF USABLE TOUCHSCREEN

ADA Compliance Requirement

GROUND

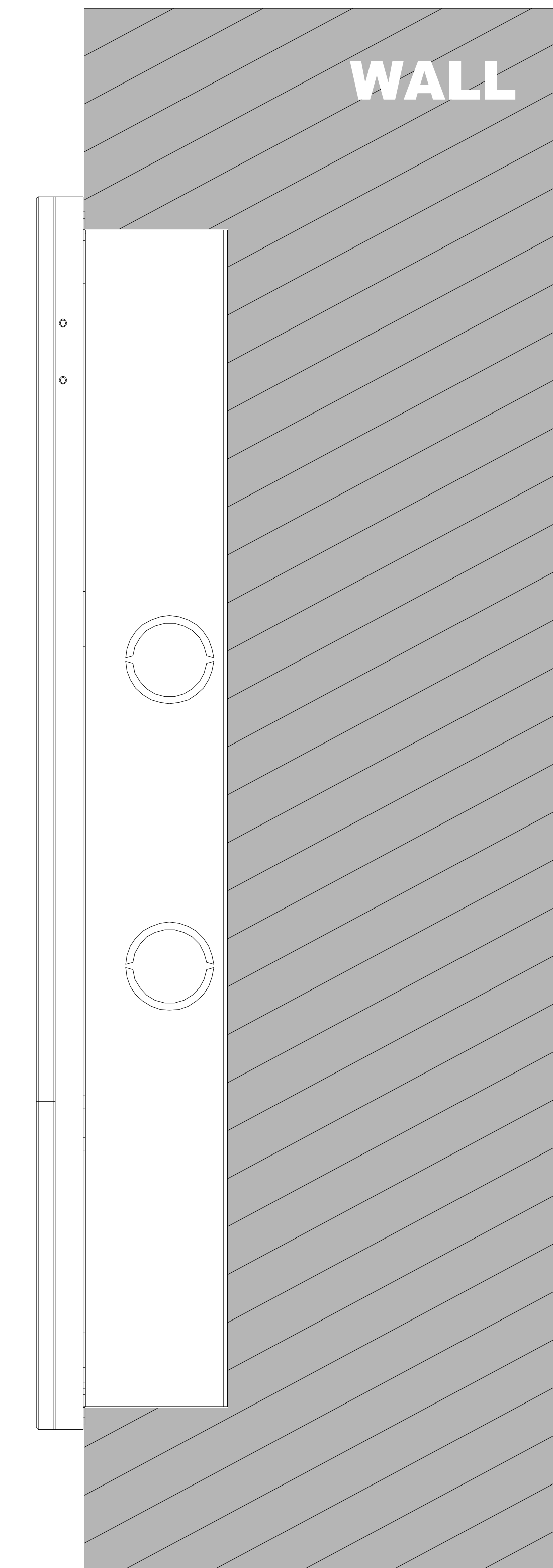


② FRONT VIEW: FLUSHING MOUNTING BOX PLACEMENT

926.3mm TO BOTTOM OF BRACKET

963.6mm TO SCREW HOLE CENTER OF BRACKET

GROUND



③ SIDE VIEW: INTERCOM ON WALL

Applicable Model

X915

Drawing Title

Intercom Panel

Drawing Unit

mm

Drawing Scale

Not to scale

**DRAFT
SUBJECT TO
CHANGE**

Last Revised

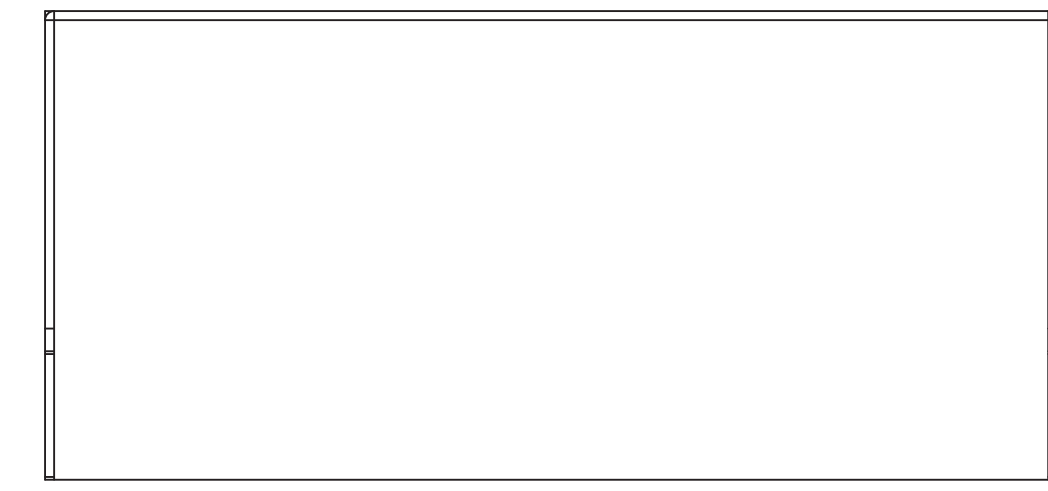
Sept. 28, 2021

Drawing Version

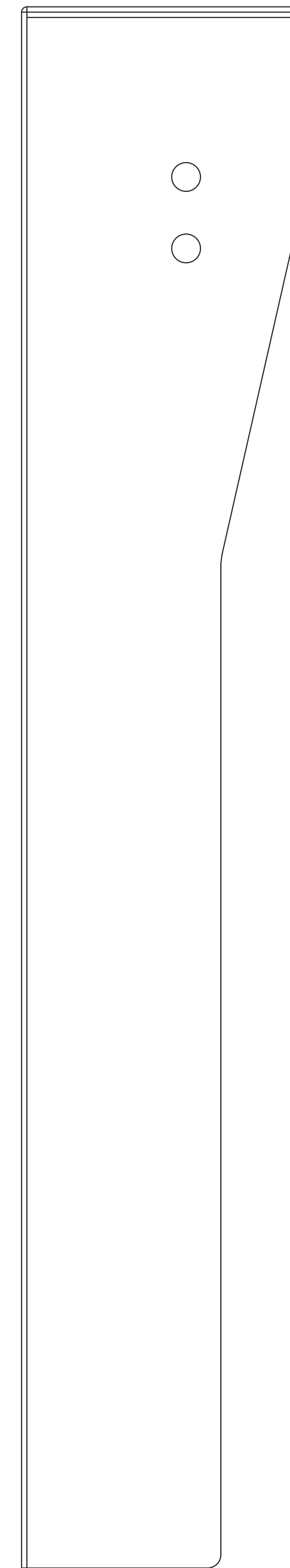
V1.1

Page

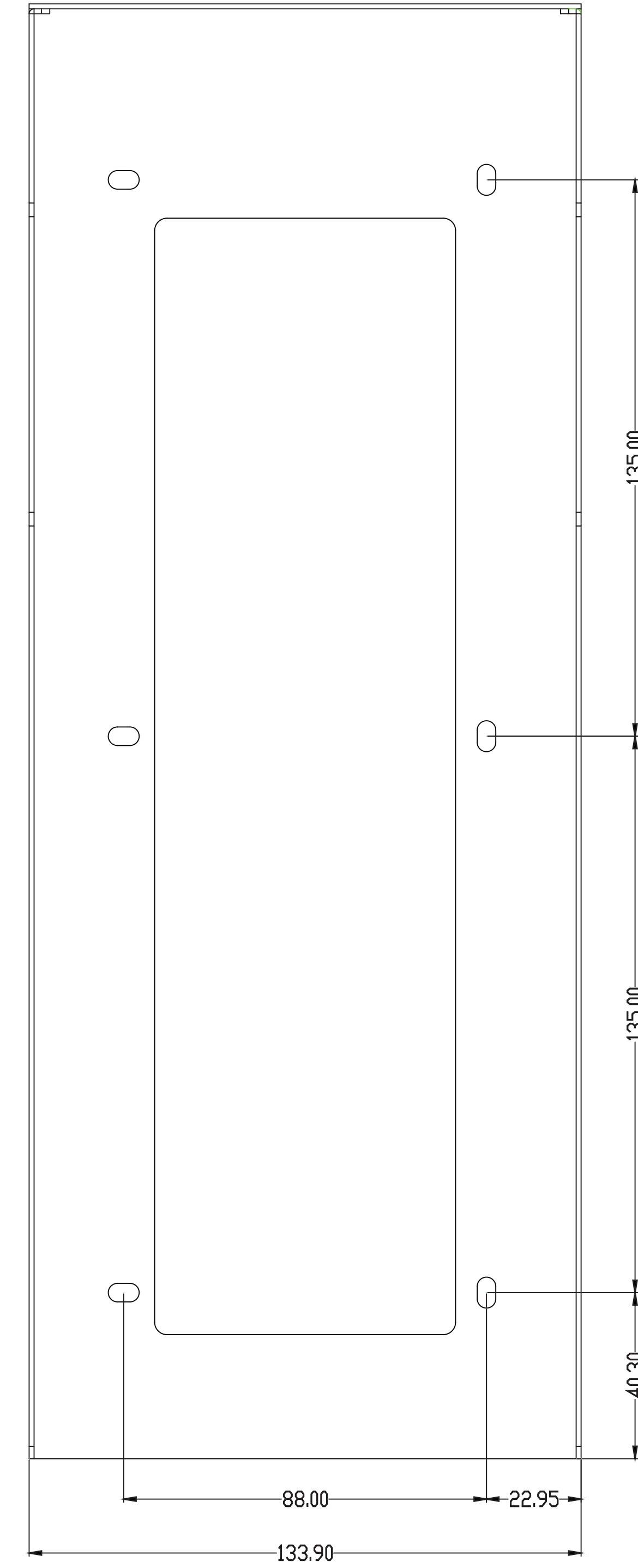
5 of 9



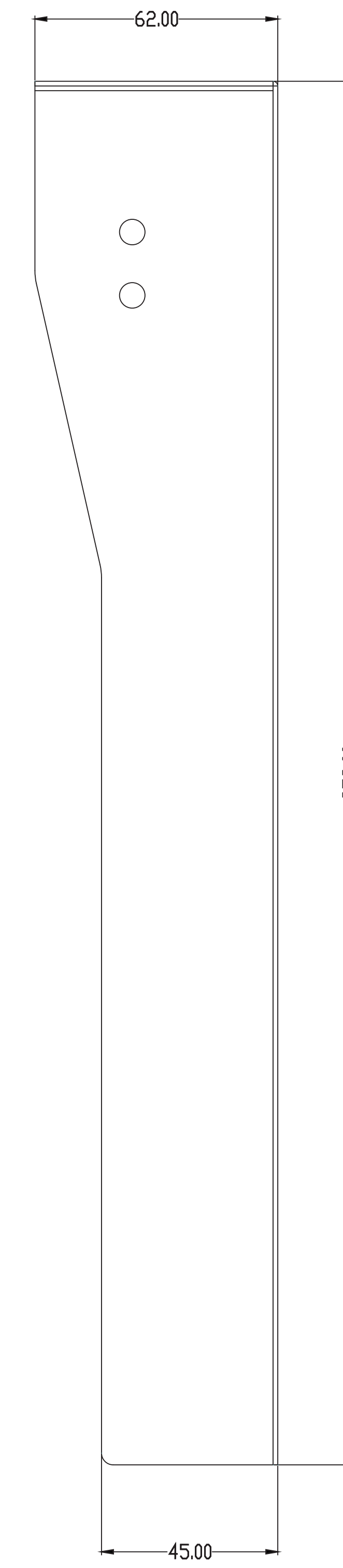
5 TOP VIEW



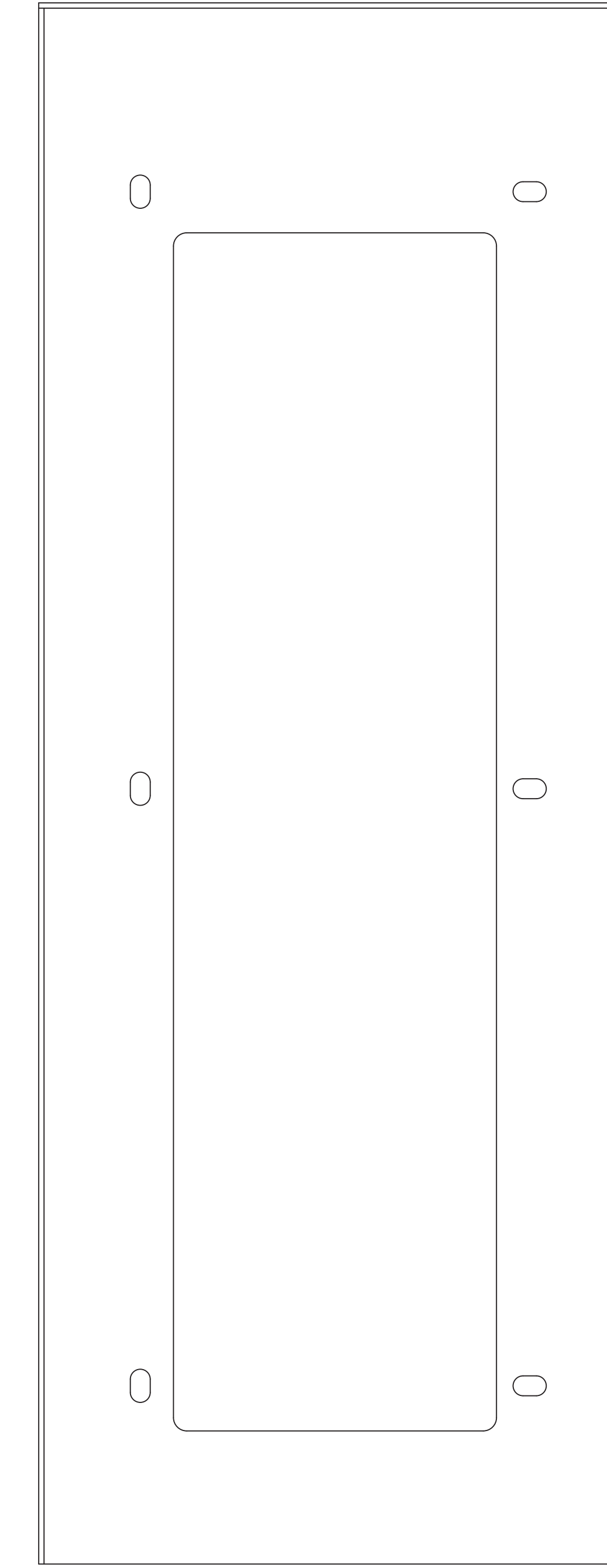
2 RIGHT VIEW



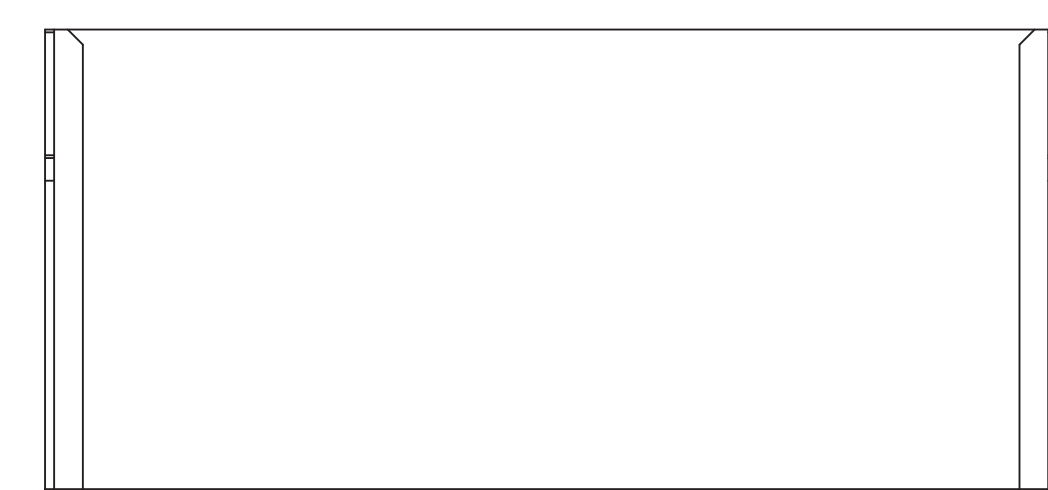
1 FRONT VIEW



3 LEFT VIEW



4 BACK VIEW



6 BOTTOM VIEW

Applicable Model

X915

Drawing Title

Intercom Panel

Drawing Unit

mm

Drawing Scale

Not to scale

DRAFT
SUBJECT TO
CHANGE

Last Revised

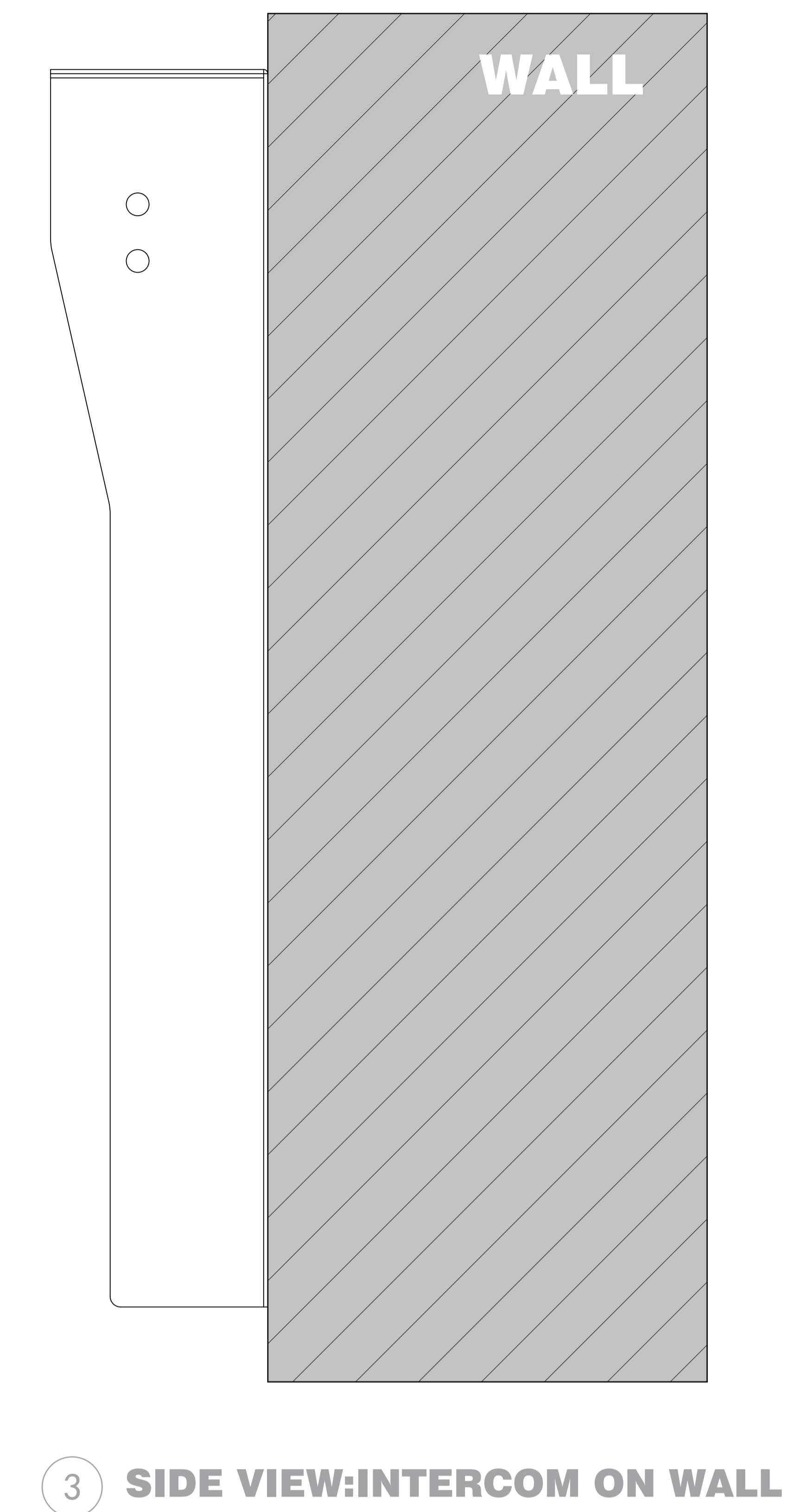
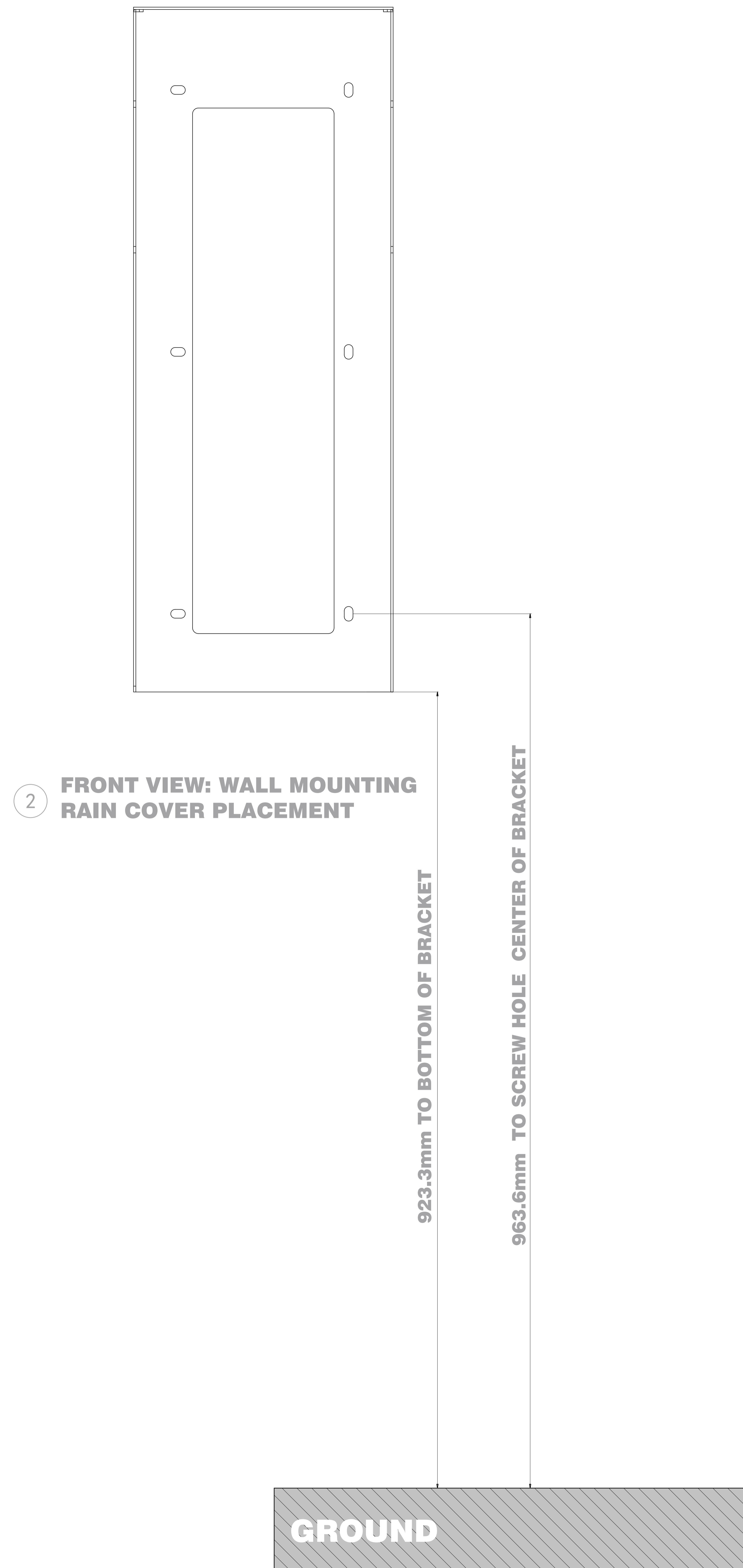
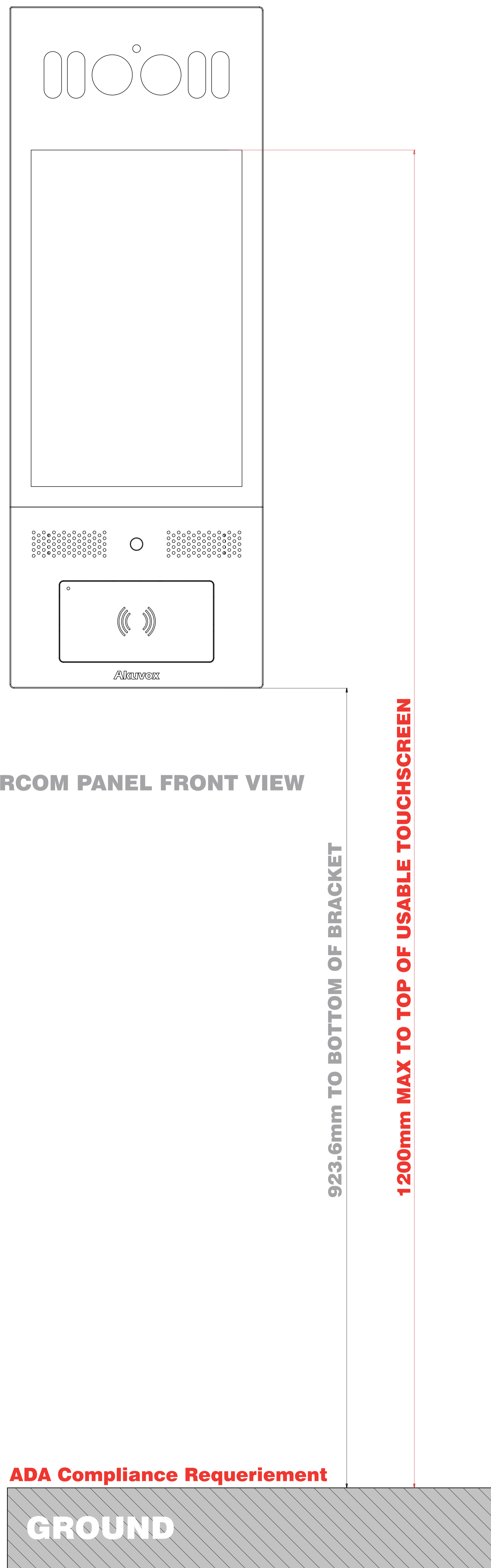
Sept. 28,2021

Drawing Version

V1.1

Page

6 of 9



Applicable Model

X915

Drawing Title

Intercom Panel

Drawing Unit

mm

Drawing Scale

Not to scale

**DRAFT
SUBJECT TO
CHANGE**

Last Revised

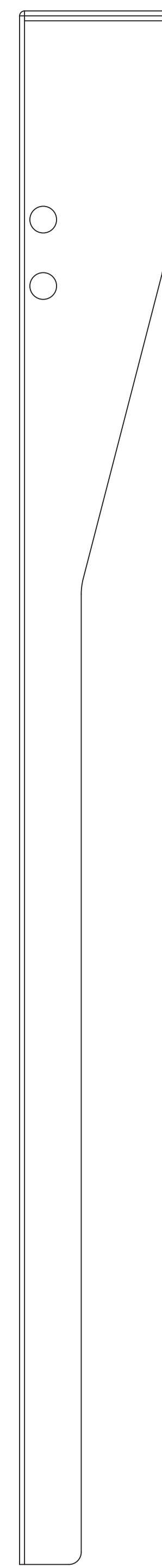
Sept. 28, 2021

Drawing Version

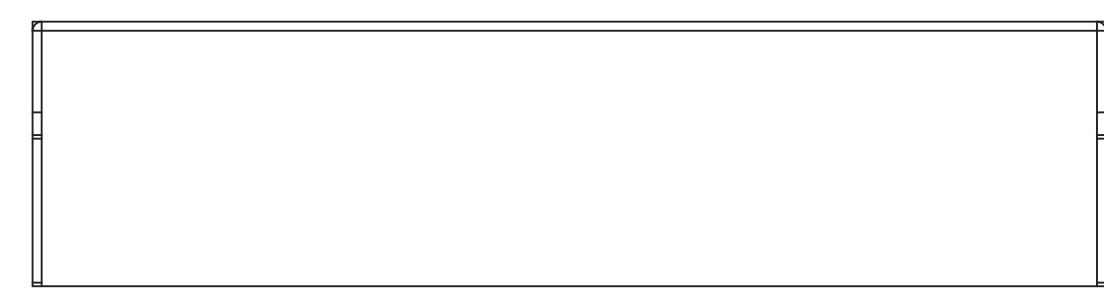
V1.1

Page

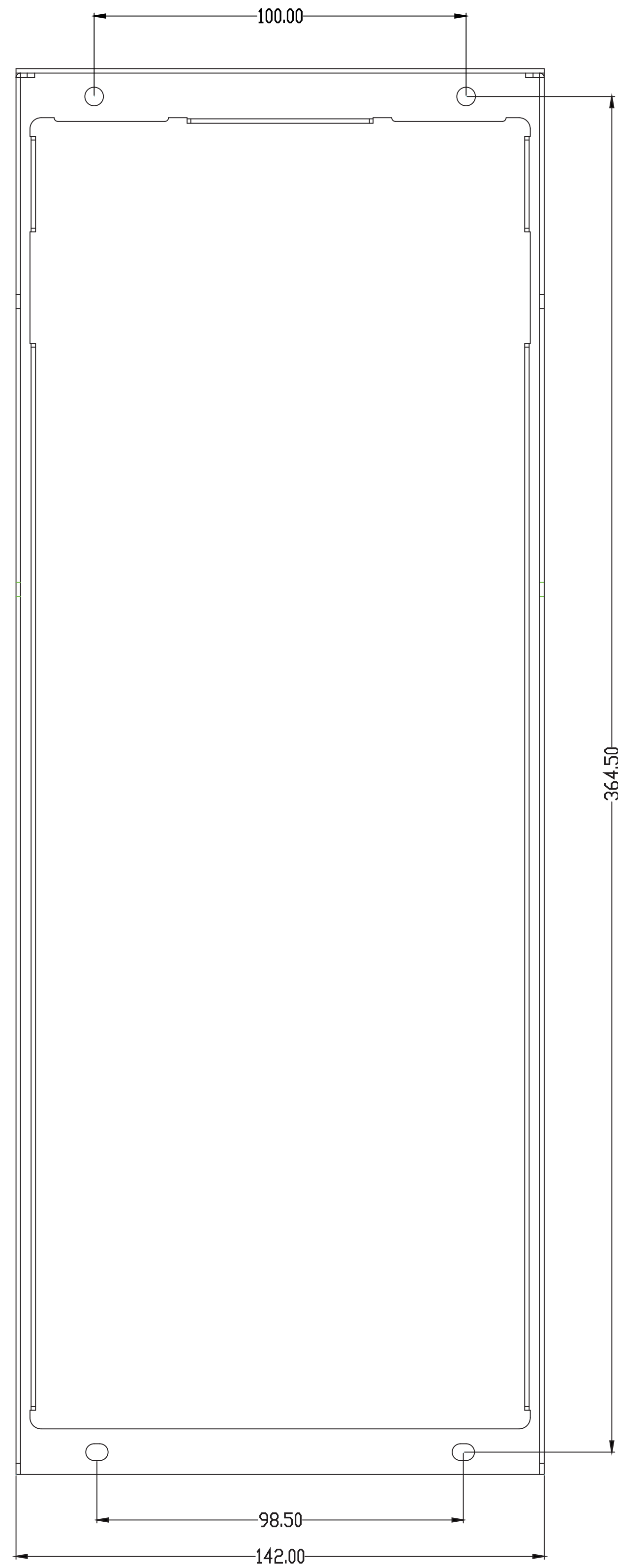
7 of 9



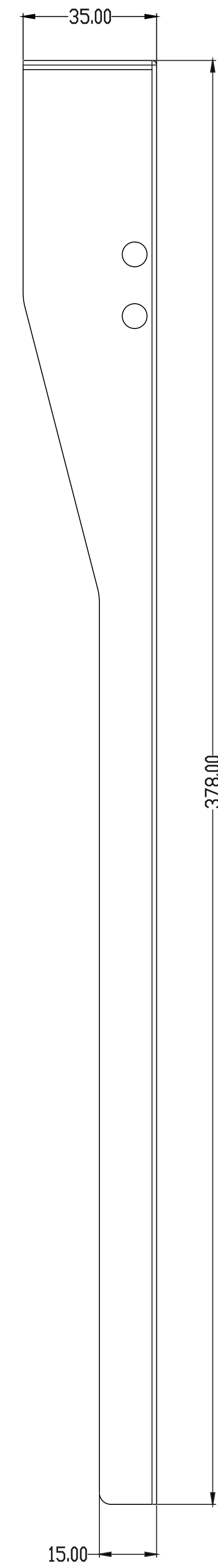
② RIGHT VIEW



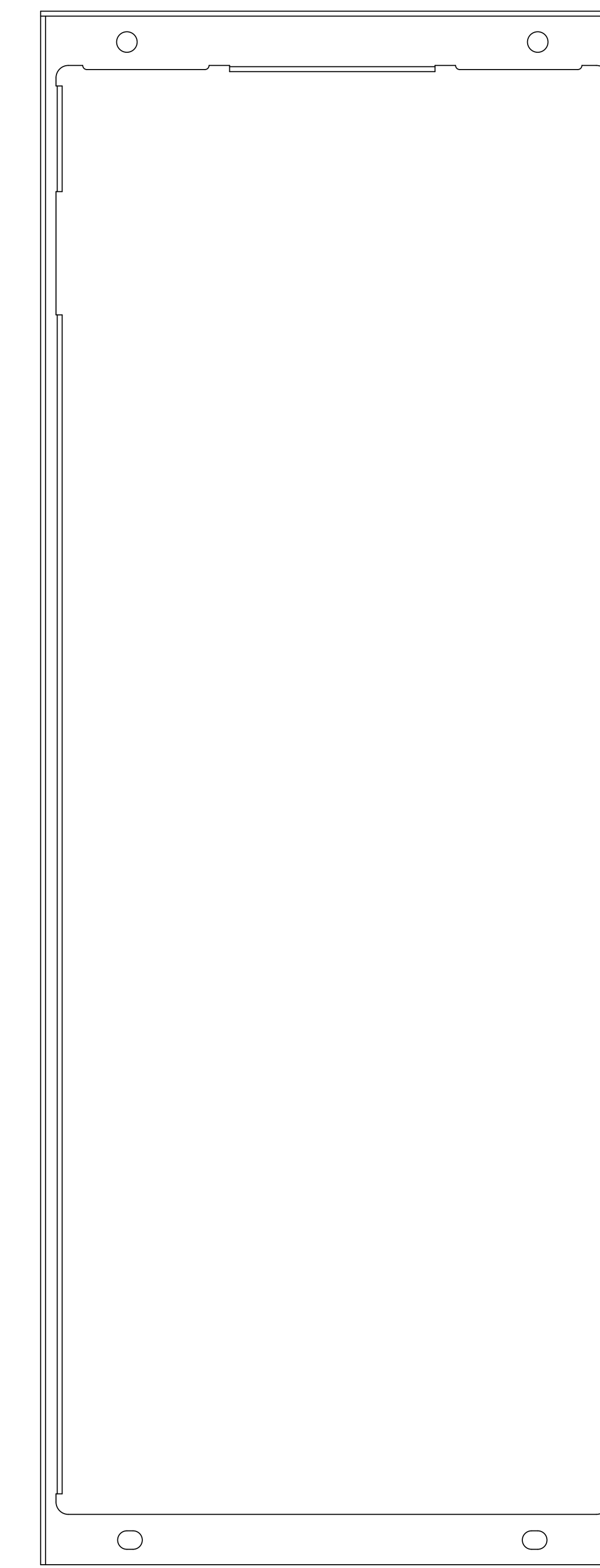
⑤ TOP VIEW



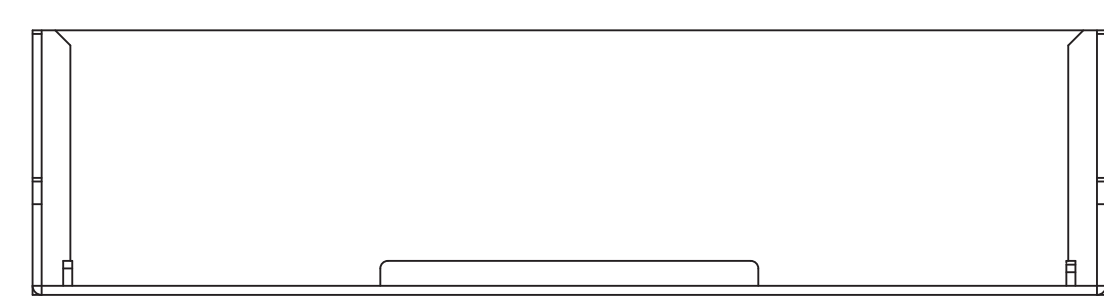
① FRONT VIEW



③ LEFT VIEW



④ BACK VIEW



⑥ BOTTOM VIEW

Applicable Model

X915

Drawing Title

Intercom Panel

Drawing Unit

mm

Drawing Scale

Not to scale

**DRAFT
SUBJECT TO
CHANGE**

Last Revised

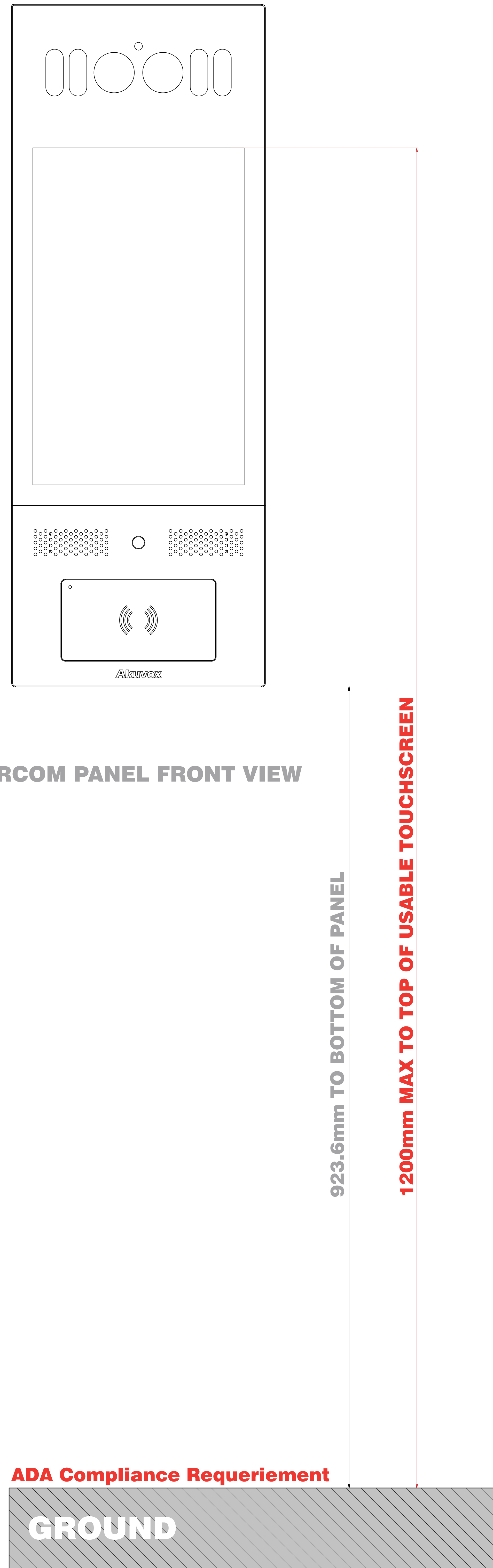
Sept. 28, 2021

Drawing Version

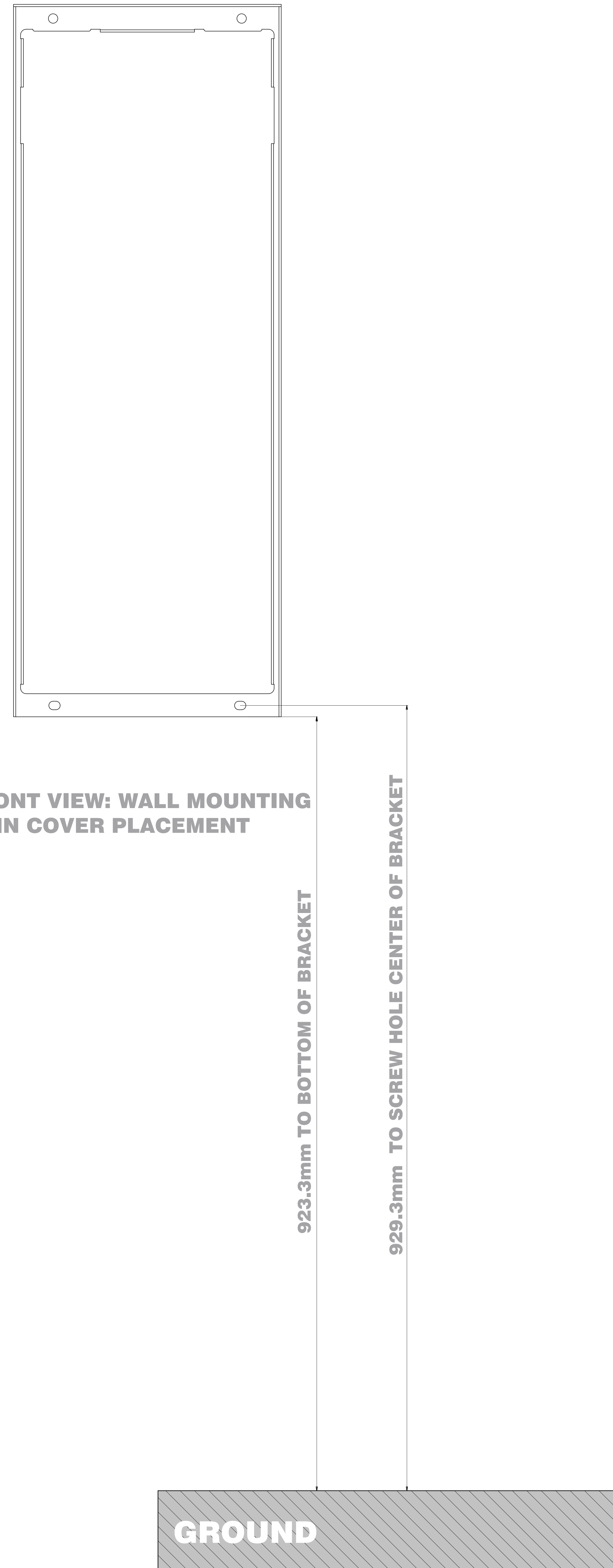
V1.1

Page

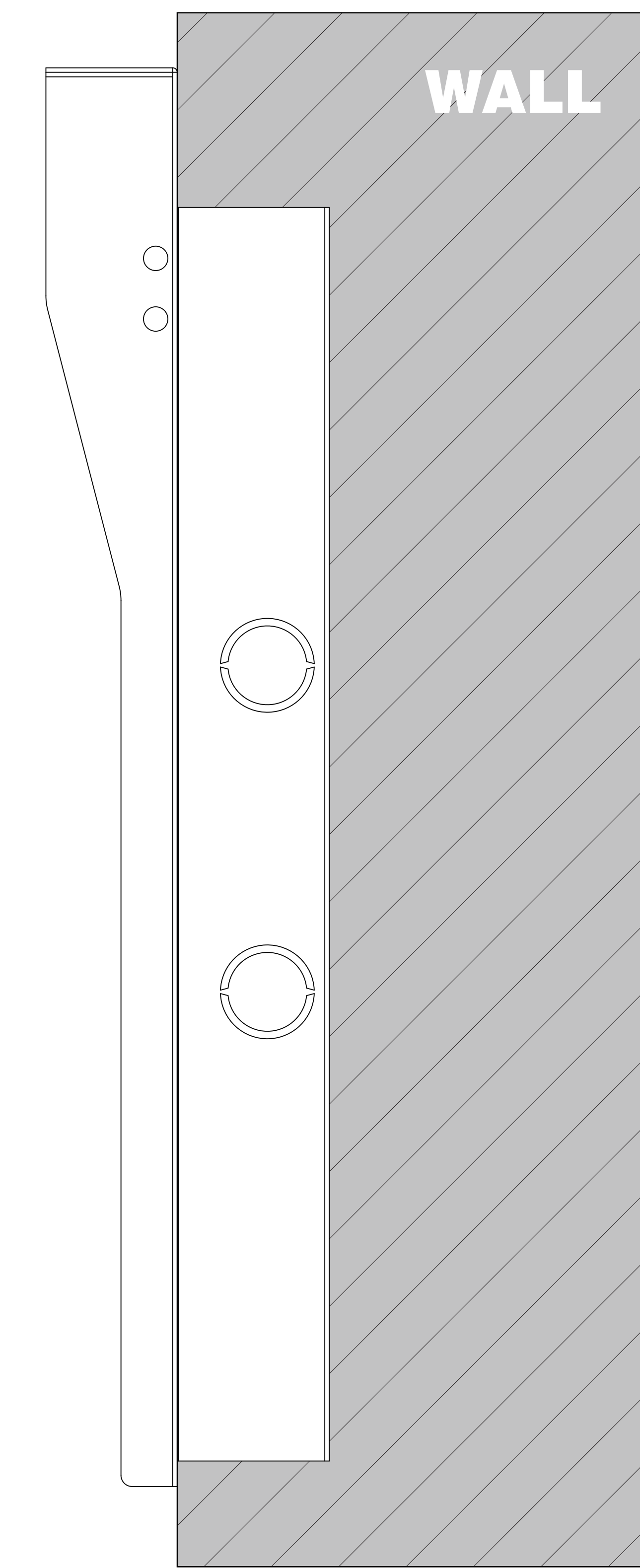
8 of 9



① INTERCOM PANEL FRONT VIEW



② FRONT VIEW: WALL MOUNTING RAIN COVER PLACEMENT



③ SIDE VIEW: INTERCOM ON WALL

Applicable Model

X915

Drawing Title

Intercom Panel

Drawing Unit

mm

Drawing Scale

Not to scale

**DRAFT
SUBJECT TO
CHANGE**

Last Revised

Sept. 28, 2021

Drawing Version

V1.1

Page

9 of 9