

Tiandy



TC-H348M Spec: 63X/IL/E++/A 4MP 63× Super Starlight IR Laser AEW AI PTZ Camera

Ultra Series



KEY FEATURES

- 1/1.8" CMOS Sensor
- Up to 4MP 2560x1440@30fps
- Optical zoom: 63×, digital zoom 16×
- Min. illumination Color: 0.001Lux@F1.6
- Smart IR, IR Range: 300m
- Laser Distance: 500m
- Built-in Speaker
- Built-in Wiper
- Built-in Electronic Compass
- S+265/H.265/H.264/M-JPEG
- Monitoring/Intelligent Monitoring/ Face Capture mode
- Auto-tracking Early Warning (AEW)
- Support Laser Point
- Alarm 8 in and 2 out, Audio 1 in and 1 out
- Plugin Free
- IP66
- DC36V±25%, POE++(IEEE802. bt)



Tiandy Technologies Co.,Ltd.

Email: sales@tiandy.com

Tel: +86-22-58596065

Website: en.tiandy.com

Fax: +86-22-58596048



SPECIFICATIONS

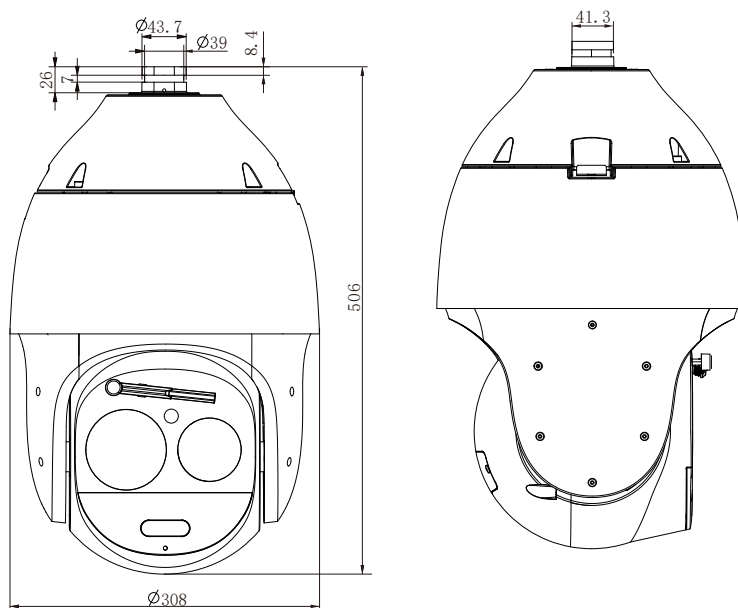
| Camera | |
|----------------------|--|
| Image Sensor | 1/1.8" CMOS |
| Signal System | PAL/NTSC |
| Min. Illumination | Color: 0.001lux@ (F1.6, AGC ON), B/W:0.0001lux@ (F1.6, AGC ON), 0lux with IR |
| Shutter Time | 1s to 1/100,000s |
| Day & Night | IR Cut Filter with Auto Switch |
| Optical Zoom | 63X |
| Digital Zoom | 16X |
| Lens | |
| Focal Length | 5.7-359mm |
| Zoom Speed | <7s |
| Field of View | Horizontal filed of view: 60° (w)~1.54° (t) , Vertical filed of view: 35.5° (w)~0.87° (t), Diagonal field of view:67.5°(w)~1.77(t) |
| Aperture Range | F1.6~F5.0 |
| Focus Control | Auto/Manual |
| Iris Control | Auto |
| Close Focus Distance | 1 m~3 m |
| Pan&Tilt | |
| Pan Range | 360° |
| Pan Speed | Pan Manual Speed: 0.1°~200°/s, Pan Preset Speed: 240°/s |
| Tilt Range | -21°~90° (Default -13°~90°) |
| Tilt Speed | Tilt Manual Speed: 0.1°~180°/s, Tilt Preset Speed: 180°/s |
| 3D Position | Yes |
| Preset | 500 |
| Preset Accuracy | ±0.1° |
| Cruise | 16, up to 32 presets per cruise |
| Scan | 8 |
| Pattern | 8, each with 600s memory or 1000 orders |
| Scheduled Task | Preset, Cruise, Scan, Pattern, Alarm output |
| Park Action | Yes |
| Power-off Memory | Yes |
| Preset Freezing | Yes |
| Illuminator | |
| IR LEDs | 11 |
| IR Distance | Up to 300m |
| IR Irradiation Angle | Adjustable by Zoom |
| White LEDs | 2, support white/blue/red light flash |
| Laser | 6, Wavelength 850nm |
| Laser Distance | Up to 500m |
| Compression Standard | |
| Video Compression | S+265/H.265/H.264 (High profile, Main profile, Baseline) |
| Video Bit Rate | 32Kbps~16Mbps |
| Audio Compression | G.711A/G.711U/ADPCM_D/AAC_LC |
| Audio Sampling Rate | 8K~48Kbps |
| Image | |
| Max. Resolution | 4MP (2560x1440) |
| Main Stream | PAL: 25fps(2560x1440,2304x1296,1920x1080,1280x720) NTSC: 30fps(2560x1440,2304x1296,1920x1080,1280x720) |
| Sub Stream | PAL: 25fps(704x576,704x288,352x288,640x360) NTSC: 30fps(704X480,704X240,352X240,640x360) |
| Third Stream | PAL:25fps(704x576,704x288,352x288,640x480) NTSC: 30fps(704X480,704X240,352X240,640x480) |
| BLC | Yes |
| HLC | Yes |
| WDR | TWDR,,only in monitoring mode |

Tiandy

| | |
|-------------------------------------|--|
| Image Stabilization | EIS,only in monitoring mode |
| Fog | Digita |
| White Balance | Auto/Semi-auto/Manual/Sunny/Natural light/Warm light/Sodium lamp/Incandescent lamp/Locked white balance |
| AGC | Yes |
| Noise Reduction | 2D/3D |
| ROI | 7 Dynamic Areas for Both Main and Sub Stream, support 1 auto-tracking ROI |
| Picture Overlay | Yes |
| Privacy Mask | Yes |
| Smart Defog | Yes |
| Image Setting | Saturation, brightness, contrast, sharpness, adjustable by client software or web browser |
| Flip | Yes |
| OSD | 16x16, 24x24,32x32, 48x48, 64x64,96x96, adaptable size, Letters such as Week, Date, Time, Total 5 Regions |
| Feature | |
| Alarm Trigger | Event Input, Event Output, Motion Detection, Mask Alarm, Disk Full, Disk R/W Error, IP Address Conflict, MAC Address Conflict, FTP Server Exception |
| Video Analytics | Tripwire, Double Tripwire, Perimeter, Object Abandon, Object Lost, Loitering, Running, Parking, Heatmap, Crowd, People Counting, On Duty Detection, Safety Helmet Detection,Video Abnormal, Audio Abnormal |
| Early Warning(EW) | Three level,Voice warning support 35 voice messages; Laser driven away; Three-light flash warning |
| Auto-Tracking | Yes |
| Face Detection and Analytics | |
| Operating Mode | Face capture, intelligent monitoring optional, default intelligent monitoring |
| Face Detection Performance | Detects up to 32 faces at the same scene |
| Face Exposure Brightness | Default 35, 1~100 brightness optional |
| Min. Face Pixel | Default 80, 19~2560 optional |
| Network | |
| Protocols | TCP/HTTPS/DHCP/DNS/DDNS/EasyDDNS/NTP/SMTP/UpnP/802.1X/QoS/IPv4/IPv6/UDP/PPPOE/SSL/SNMP/Unicast/Multicast |
| System Compatibility | ONVIF (PROFILE S/T/G/M),SDK,CGI,RTSP |
| ANR | Auto store video in SD card when NVR disconnected, and upload video to NVR when resumed connection (Only Support Tiandy ANR NVR) |
| Remote Connection | 4 |
| User/Host | Up to 32 users. 4 user levels |
| Web Version | web6 |
| Interface | |
| Communication Interface | 1 RJ45 10M/100M self adaptive Ethernet port |
| Audio I/O | 1/1 |
| Alarm I/O | 8/2 |
| Built-In Speaker | Yes |
| Reset Button | Yes |
| On-board storage | Built-in Micro SD card slot, up to 512 GB |
| RS-485 | Yes |
| BNC | Yes(Debugging use) |
| Wiper | Yes |
| Electronic Compass | Yes |
| GPS/BDS | N/A |
| General | |
| Protection | IP66 , TVS 6000V lightning protection, surge protection and voltage transient protection |
| Web Client Language | 17 languages Simplified Chinese / traditional Chinese / English / Spanish / Italian / Korean / Turkish / Russian / Thai / Polish / French / Dutch / Hebrew / Vietnamese / Arabic / German / Ukrainian |
| Operating Conditions | -40°C~70°C (IR OFF), -40°C~40°C (IR ON), 0-95%RH |
| Power Supply | DC36V±25%/POE++(IEEE802.3 bt) |
| Power Consumption | 37W (IR OFF), 62W (IR ON) |
| Heater | Yes |
| Material | ADC12 |
| Package/Boundary Dimensions | Φ445x700mm (Φ308x506mm) |
| Gross/Net Weight | 17.95kg (12.75kg) |

* Listed resolutions are only selectable options. It does not mean that all streams can work at their maximum resolution at the same time.

DIMENSIONS (Unit: mm)



ACCESSORIES



DF20Y
Wall Mount

OPTIONAL



A37
Installation Adapter



A38
Ceiling Mount



DF21Y
Pendant Mount



A36
Pole Mount



A35
Corner Mount



811
Junction Box

DISTRIBUTED BY



Tiandy Technologies Co.,Ltd.

Email: sales@tiandy.com

Tel: +86-22-58596065

Website: en.tiandy.com

Fax: +86-22-58596048