

Tiandy



TC-H326S Spec:33X/I/E+/A/V3.0 2MP 33× Starlight IR POE AI PTZ Camera

Pro Series



KEY FEATURES

- Up to 1920X1080@30fps
- Min. illumination Color: 0.001Lux@F1.5
- Optical zoom: 33×, digital zoom 16×
- Smart IR, IR Range: 200m
- S+265/H.265/H.264/M-JPEG
- Intelligent monitoring/ Face Capture mode
- Support Human/Vehicle Classification
- Support Auto-tracking
- Plugin Free
- IP66



Tiandy Technologies Co.,Ltd.

Email: sales@tiandy.com

Tel: +86-22-58596065

Website: en.tiandy.com

Fax: +86-22-58596048

Tiandy

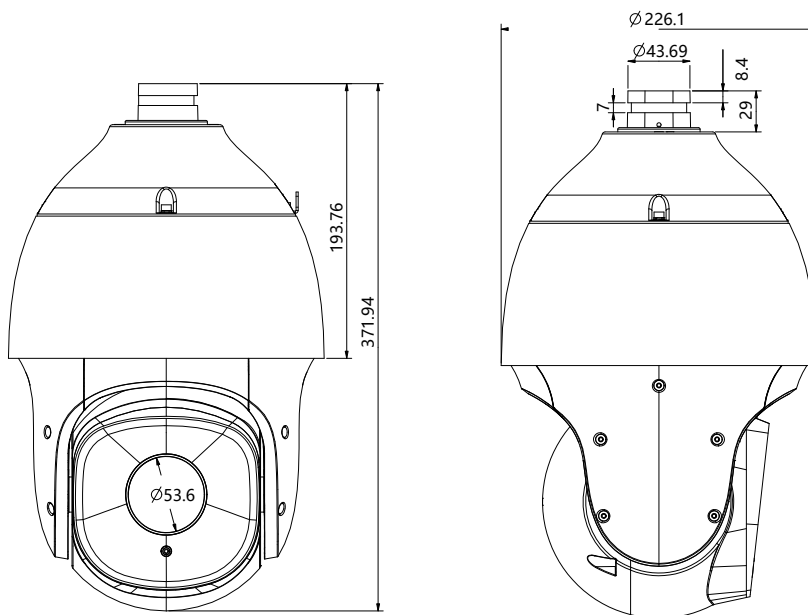
SPECIFICATIONS

Camera	
Image Sensor	1/2.8" CMOS
Min. Illumination	Color: 0.001lux@ (F1.6, AGC ON), B/W: 0lux with IR
Shutter Time	1s to 1/100,000s
Day&Night	IR Cut Filter with Auto Switch
WDR	120dB
S/N	> 42dB
Lens	
Focal Length	4.6mm~152mm
Optical Zoom	33X
Digital Zoom	16X
Zoom Speed	<5S
Aperture Range	F1.6~F4.3
Field of View	Horizontal filed of view: 60° (w)~2.3° (t) Vertical filed of view: 34.4° (w)~1.5° (t) Diagonal field of view: 66.7°(w)~2.8° (t)
Focus Control	Auto,semi-auto,manual
Iris Control	Auto
Close Focus Distance	100mm~1500mm
DORI Distance	Detect:1793m Observe:711m Recognize:358m Identify:179m
Pan&Tilt	
Pan Range	360°
Pan Speed	Pan Manual Speed: 0.1°~180°/s, Pan Preset Speed: 240°/s
Tilt Range	-16°~90° (Default -3°~90°)
Tilt Speed	Tilt Manual Speed: 0.1°~120°/s, Tilt Preset Speed: 120°/s
3D Position	Yes
Preset	500
Cruise	16, up to 32 presets per cruise
Scan	8
Pattern	8, each with 600s memory or 1000 orders
Scheduled Task	Preset,Cruise,Scan,Pattern
North Point	Yes(Manual setting)
Power-off Memory	Yes
Preset Freezing	N/A
Illuminator	
IR LEDs	10
IR Distance	Up to 200m
Wavelength	850nm
IR Irradiation Angle	Adjustable by Zoom
White LEDs	N/A
Whitelight Distance	N/A
Laser	N/A
Laser Distance	N/A
Compression Standard	
Video Compression	S+265/H.265/H.264/M-JPEG
Video Bit Rate	32Kbps~16Mbps
Audio Compression	G.711A/G.711U/ADPCM_D/AAC_LC
Audio Sampling Rate	8kHz/32kHz/48kHz
Image	
Max. Resolution	1920x1080@30fps
Main Stream	PAL:25fps(1920x1080,1280x960,1280x720,640x480,704x576) NTSC:30fps(1920x1080,1280x960,1280x720,640x480,704x480)
Sub Stream	PAL:25fps(704x576,704x288,352x288,640x360) NTSC:30fps(704x480,704x240,352x240,640x360)
Third Stream	PAL:25fps(1920x1080,1280x960,1280x720,704x576,640x480,704x288,352x288) NTSC:30fps(1920x1080,1280x960,1280x720,704x480,640x480,704x240,352x240)
BLC	Yes
HLC	Yes
AGC	Yes

Tiandy

Noise Reduction	2D/3D
White Balance	Auto/Semi-auto/Manual/Sunny/Natural light/Warm light/Sodium lamp/Incandescent lamp/ Locked white balance
ROI	7 Dynamic Areas for Both Main and Sub Stream, support 1 auto-tracking ROI
EIS	N/A
OSD	16x16, 24x24,32x32, 48x48, 64x64, adaptable size, Letters such as Week, Date, Time, Total 5 Regions
Defog	Digital
Flip	Yes
Regional Exposure	Yes
Regional Focus	Yes
Demist	Yes
Feature	
Alarm Trigger	Motion Detection;Mask Alarm;Voltage Alarm;Disk Full;Disk R/W Error;IP Address Conflict; MAC Address Conflict;FTP Server Exception ;Event Input, Event Output
Linkage Method	send email;trigger sound;trigger recording;trigger capture;notify surveillance center
Video Analytics	Human/Vehicle Classification;Tripwire;Double Tripwire;Perimeter;Object Abandon;Object Lost; Heatmap;Loitering;Running;Parking;People Counting;Crowded;Safety Helmet Detection; On Duty Detection;Video Abnormal;Audio Abnormal
Early Warning(EW)	N/A
Auto-Tracking	Yes
Face Mode	Face Capture
Face Caputure Performance	Detects up to 32 faces at the same scene
Network	
ANR	Auto store video in SD card when NVR disconnected, and upload video to NVR when resumed connection (Only Support Tiandy ANR NVR)
Protocols	HTTP;HTTPS;TCP/IP;UDP;UPnP;SNMP;DHCP;DNS;DDNS;Easy DDNS;NTP;SMTP;SSL;802.1X;QoS;IPv4;IPv6; PPPOE;SSH;Unicast;Multicast;RTP;SRTP;RTSP;FTP;SFTP;NAS
System Compatibility	ONVIF Profile S/T/G/M;CGI;Milestone;RTMP
Remote Connection	≤7
User/Host	Up to 32 users. 4 user levels
Client	Easy7 Smart Client
Moblle Client	EasyLive Plus
Web	IE10+;Firefox52+;Edge89+;Safari11+;Chrome57+
Interface	
Communication Interface	1 RJ45 10M/100M self adaptive Ethernet port
Audio I/O	1/1
Alarm I/O	1/1
Built-in Speaker	N/A
Reset Button	Yes
On-board storage	Built-in Micro SD card slot, up to 512 GB
RS-485	N/A
BNC	N/A
Wiper	N/A
Electronic Compass	N/A
GPS/BDS	N/A
General	
Web Client Language	19 languages Simple Chinese/English/Traditional Chinese/Spanish/Italian/ Korean/Turkish/Russian/Thai/ Polish/French/Dutch/ Hebraism/Vietnamese/Arabic/German/ Ukrainian /Portuguese/Albanian
Operating Temperature	-40°C~70°C(IR OFF) -40°C~40°C(IR ON)
Operating Humidity	0-95%
Storage Temperature	-40°C~70°C
Storage Humidity	0-95%(non-condensing)
Power Supply	DC12V±10%/POE+(IEEE802.3 at)
Power Consumption	14W(IR OFF), 24W(IR ON)
Protection	IP66 , TVS 6000V lightning protection, surge protection and voltage transient protection
Heater	N/A
Material	ADC 12
Boundary Dimensions	222(D)372(H)mm
Package Dimensions	320(L)320(W)520(H)mm
GrossWeight	7.8Kg
NetWeight	5.3Kg

DIMENSIONS (Unit: mm)



ACCESSORIES



DF20Y
Wall Mount

OPTIONAL



A36
Pole Mount



DF21Y
Pendant Mount



A35
Corner Mount



811
Junction Box

DISTRIBUTED BY



Tiandy Technologies Co.,Ltd.

Email: sales@tiandy.com

Tel: +86-22-58596065

Website: en.tiandy.com

Fax: +86-22-58596048