

# Portable Socket

Featuring LoRaWAN®

## WS523



WS523 is a LoRaWAN® smart portable socket for the monitoring and control of electrical appliances. Adopting most of international socket types, WS523 can be used for turning on or off the electrical devices locally or remotely and measuring power consumption data plugged on it and even sending overcurrent alarms. Compliant with Milesight LoRaWAN® gateway and Milesight Development Platform, WS523 can be monitored and controlled via webpage remotely and triggered by other Milesight sensors.

WS523 can be widely used for wireless control of indoor lights, fans, heaters, machines, etc.

## ◆ Features

- Plug and play without any wirings, adopt most of international socket standards
- Turn on/off devices and create delay switch-on/off schedules remotely
- Collect current, voltage, active power, electrical consumption and support overload protection
- Equipped with capacitor for power outage alert
- Ultra-wide-distance wireless transmission up to line of sight of 15 km
- Equipped with NFC for one touch configuration, support card emulation mode
- Function well with standard LoRaWAN® gateways and network servers

- Compliant with Milesight IoT Cloud and Milesight Development Platform
- Support Milesight D2D protocol to enable ultra-low latency control without gateway

## ◆ Specifications

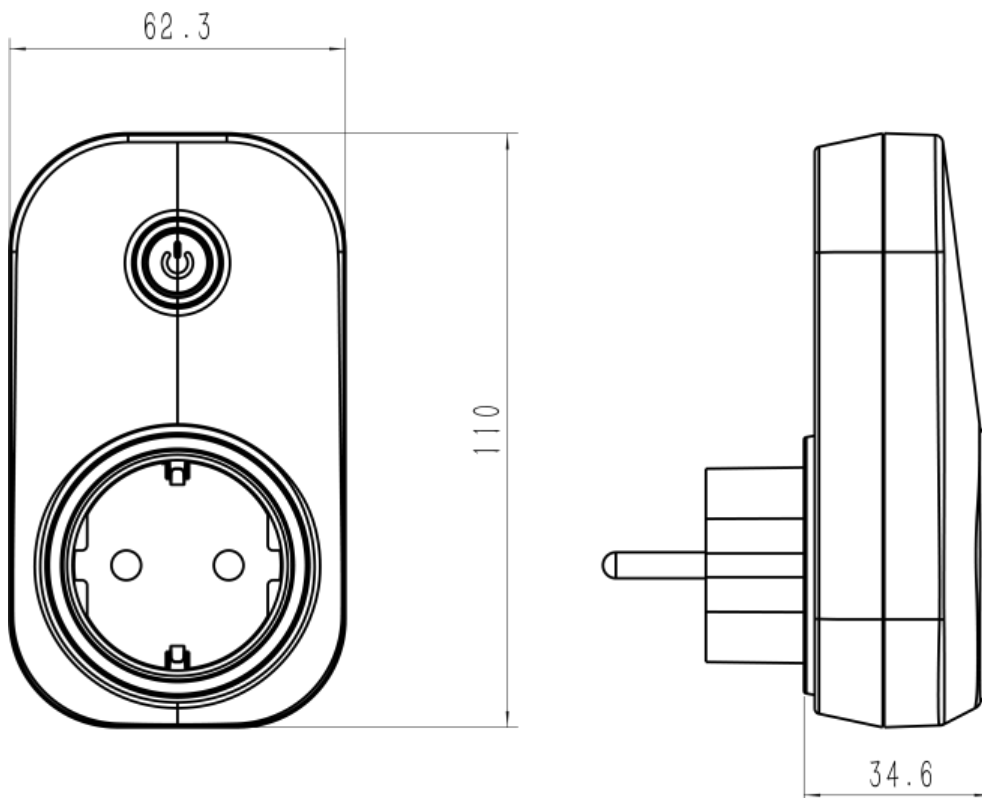
<b>Electrical</b>	
Socket Type & Rated Current	US-15A/EU-16A/AU-10A/UK-13A/CN-10A/CN-16A/FR-16A, etc.
Operating Voltage	100~250 VAC, 50~60 Hz
Measurement	Voltage (VAC), Current (mA), Power Factor (%), Active Power (W), Power Consumption (kWh)
Measurement Accuracy	Typical $\pm 3\%$ , Maximum $\pm 5\%$ ( $\pm 1\%$ Customizable)
<b>Wireless Transmission</b>	
Technology	LoRaWAN <sup>®</sup> , Milesight D2D
Antenna	Internal Antenna
Frequency	CN470/IN865/RU864/EU868/US915/AU915/KR920/AS923-1&2&3&4
Tx Power	16 dBm (868 MHz)/22 dBm (915 MHz)/19 dBm (470 MHz)
Sensitivity	-137dBm
Mode	OTAA/ABP Class C
<b>Software</b>	
Configuration	Mobile App via NFC or Downlink
Power Control	Local Press Button or Remote Control
Advanced Features	Delay Switch, Button Lock, Overcurrent Protection/Alarm, Multicast, Power Outage Alert, Milesight D2D Agent
<b>Others</b>	
LED Indicator	1 × Network/Power Status LED Indicator
Button	1 × Button for Power Supply On/Off or Reset
<b>Physical Characteristics</b>	
Material & Color	Polycarbonate (UL94 V0), White
Ingress Protection	IP20
Operating Temperature	-20°C to +60°C (-4°F to +140°F)
Relative Humidity	10% to 90% (non-condensing)
Weight	117.5 g
Dimensions	110 × 62.3 × 34.6 mm (4.33 × 2.45 × 1.36 in) (Plug is not included)
<b>Approvals</b>	

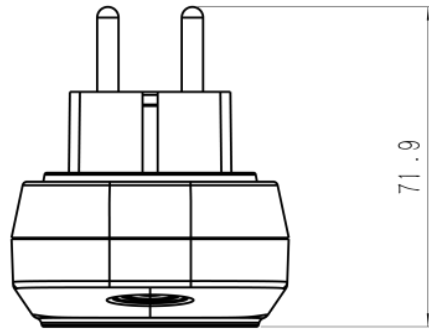
Regulatory	CE, FCC, RCM, SAA, UKCA
Environmental	RoHS

### ◆ Ordering Information

Model	PN	Description
WS523	16A-EU	Type F, EU Standard, max current is 16A
	10A-AU	Type I, AU Standard, max current is 10A
	13A-UK	Type G, UK Standard, max current is 13A
	15A-US	Type B, US Standard, max current is 15A
	10A-CN	Type A+ Type I, CN Standard, max current is 10A
	16A-CN	Type I, CN Standard, max current is 16A
	16A-FR	Type E, FR Standard, max current is 16A

### ◆ Dimensions(mm)





**Note:** The plug size will a little differ according to socket types.

